

303400

Illustrated Parts List

Model Series

303400

TYPE NUMBERS
0021 through 1420.

For Use On Engines Built Before Date Code – 01070100.

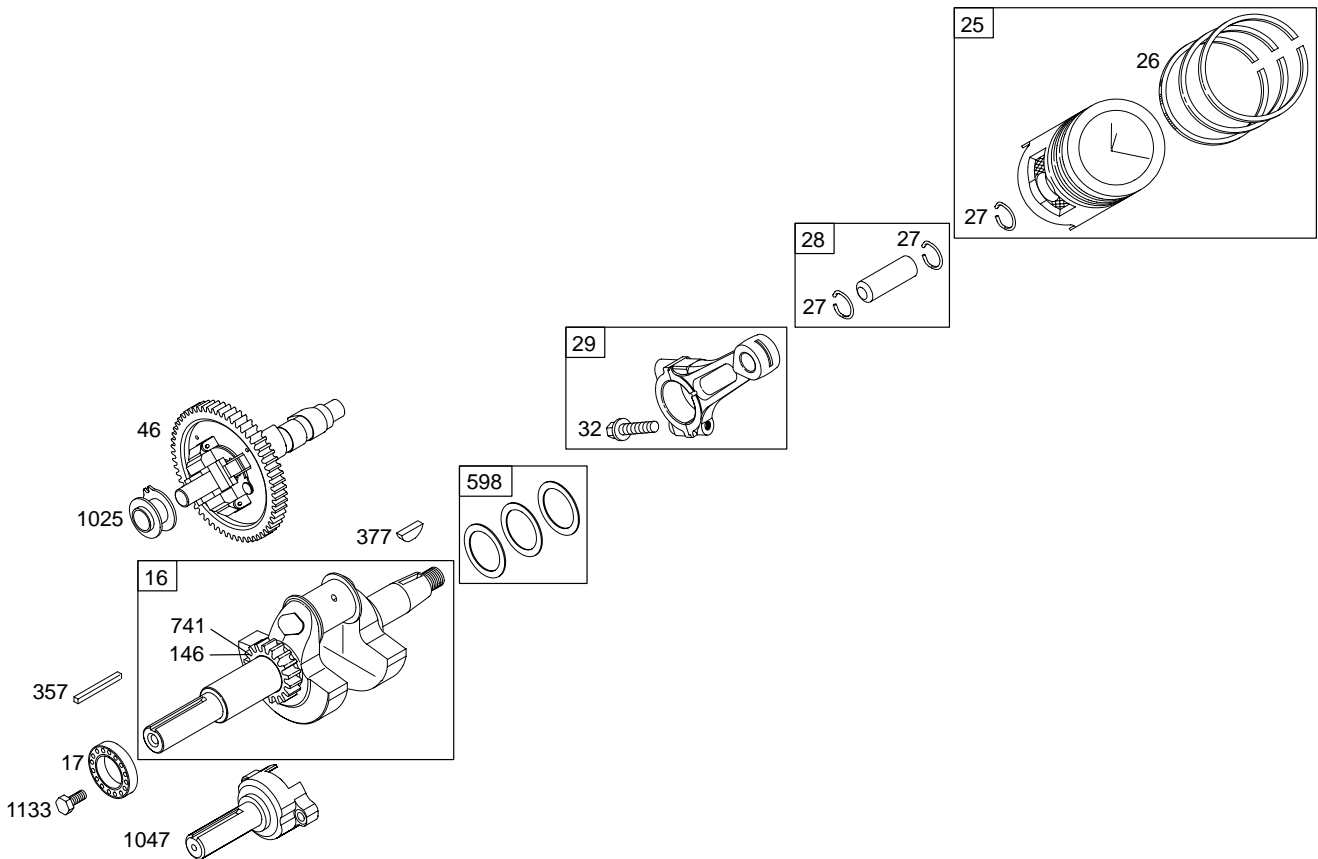
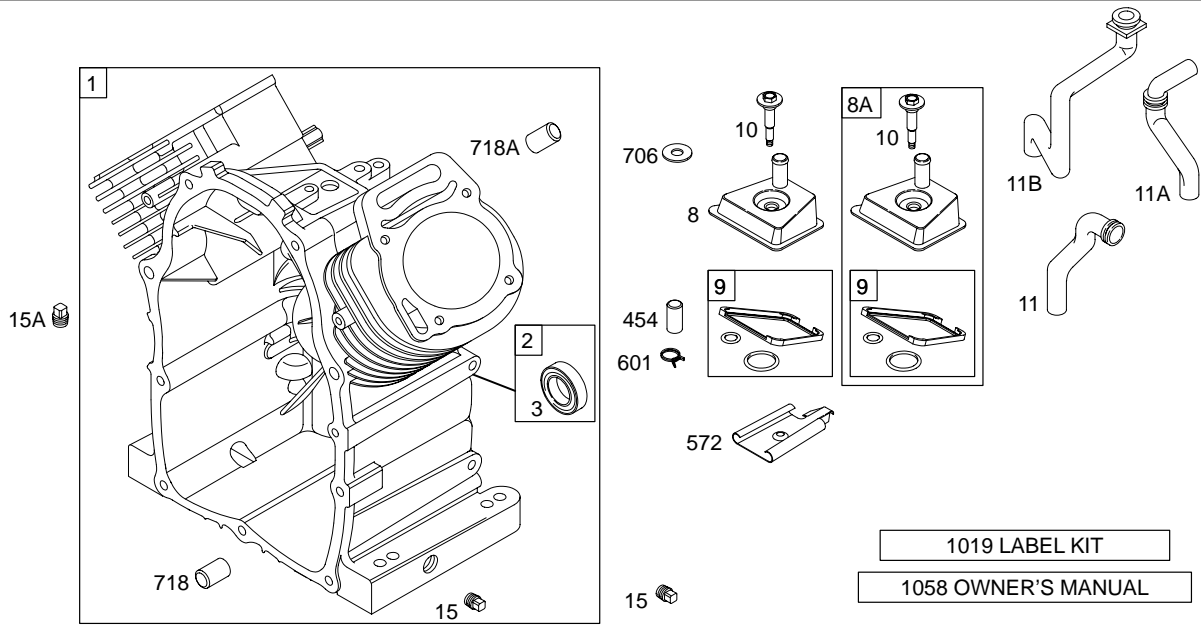
TABLE OF CONTENTS

Alternator	20
Air Cleaners	11
Blower Housings	17
Cams	2
Carburetor	9 & 10
Controls	15
Crankcase Cover/Sump	4
Crankshaft	2
Cylinder	2
Electric Starter	21 & 22
Flywheel Group	17
Fuel Tank	14
Governor Spring	15
Heads	3
Ignition	20
Kits/Gaskets – Carburetor	6
Kits/Gaskets – Valves	6, 7 & 8
Intake Manifolds	4
Muffler	12 & 13
Oil Group	5
Piston Group	2
Rewind Starters	19
Shrouds	16
Valves	2

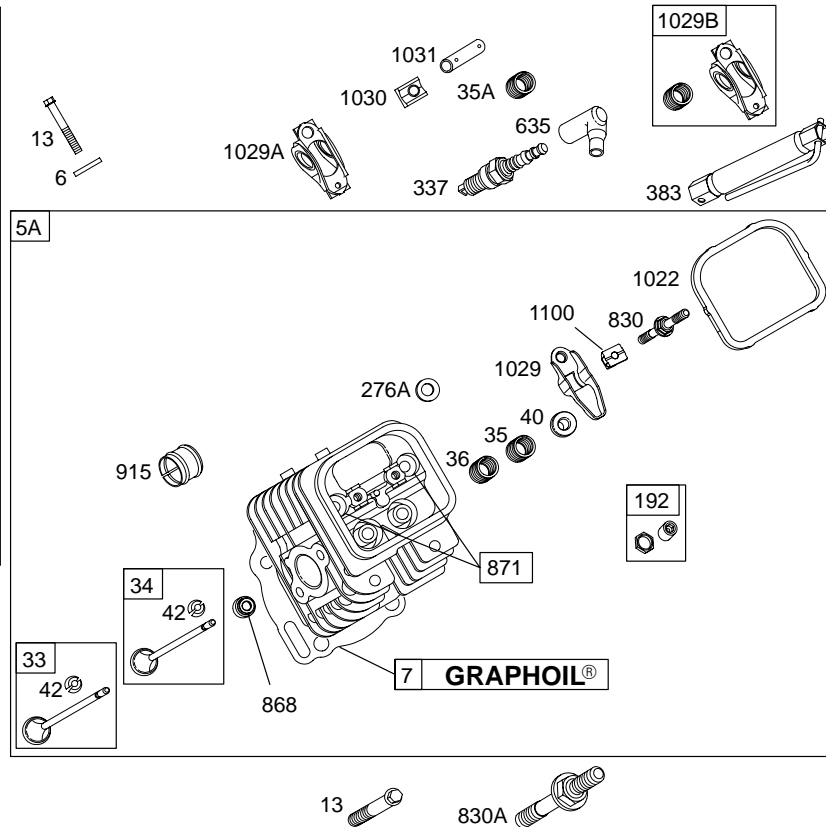
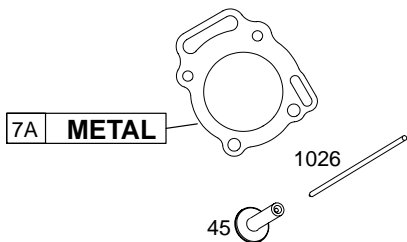
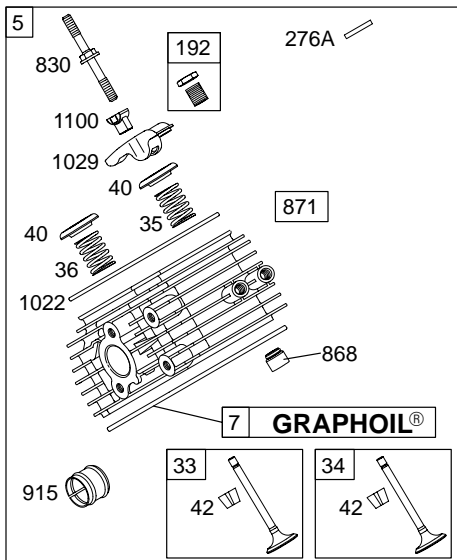
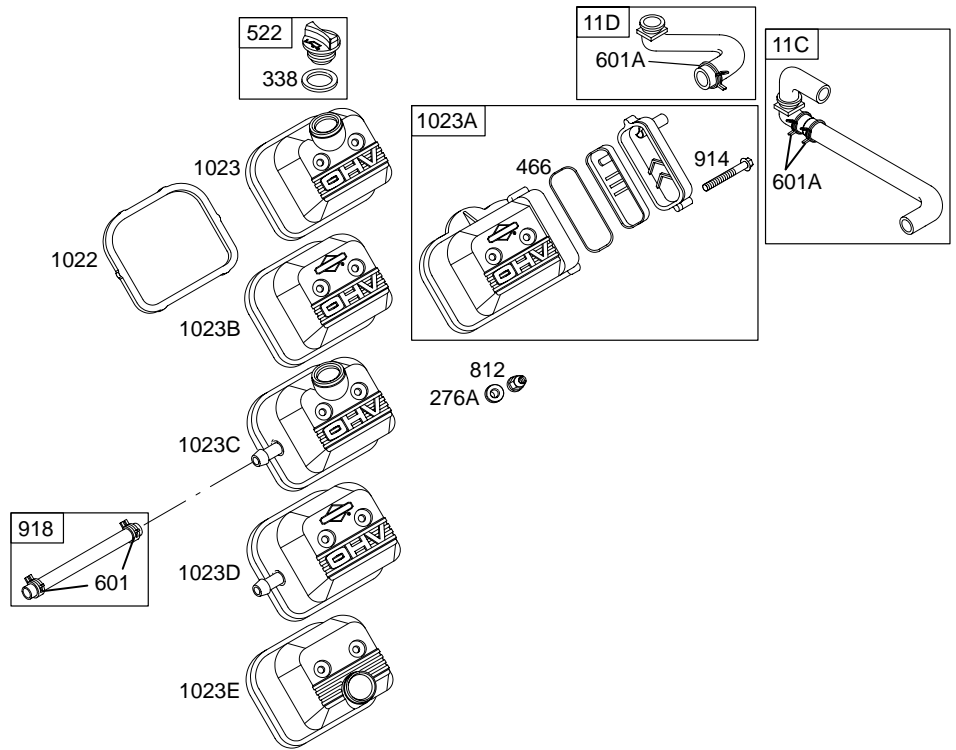
PRINTED IN U.S.A.



COPYRIGHT by BRIGGS & STRATTON CORPORATION
All rights reserved. No part of this material may be reproduced or transmitted, in any form or by any means, electronic or mechanical, including photocopying, recording or by any information storage and retrieval system, without permission in writing from Briggs & Stratton Corporation.

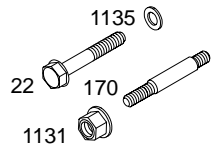
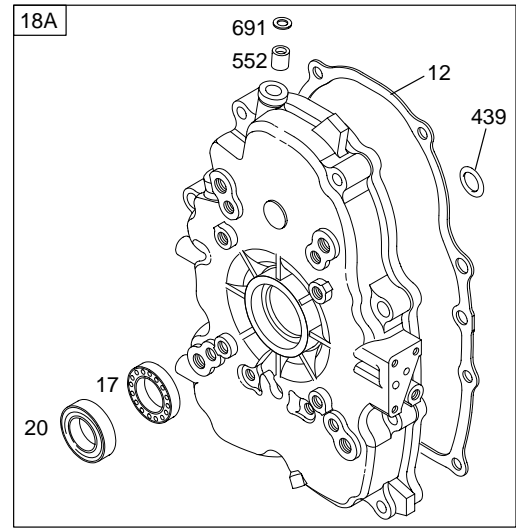
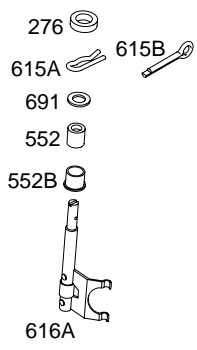
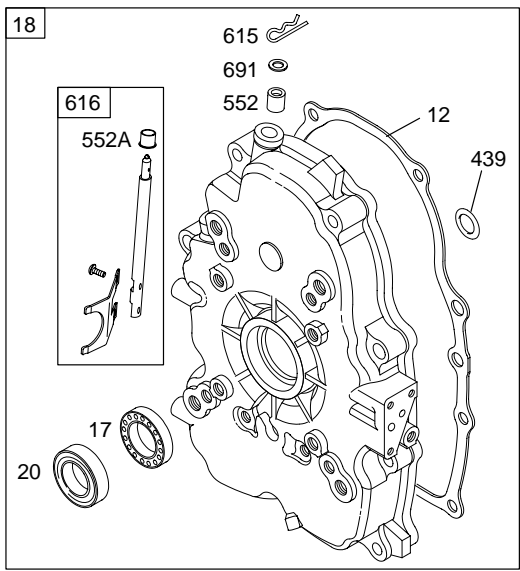
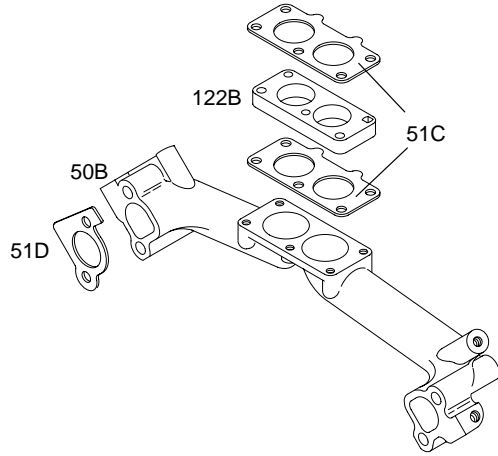
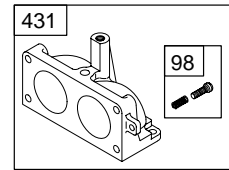
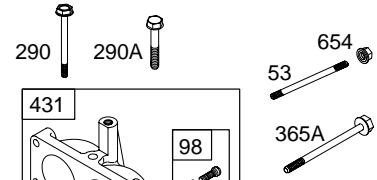
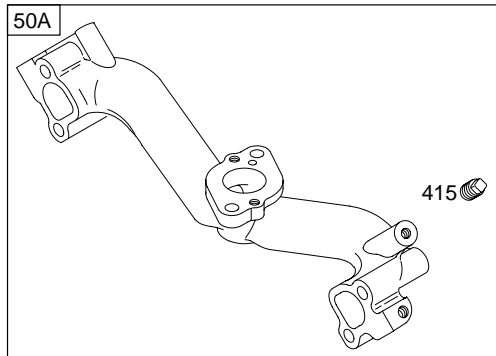
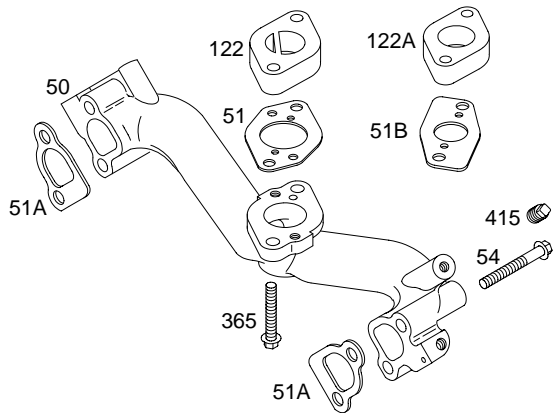


Illustrations cover a range of engines. Parts shown without corresponding text may not be used on your specific engine.

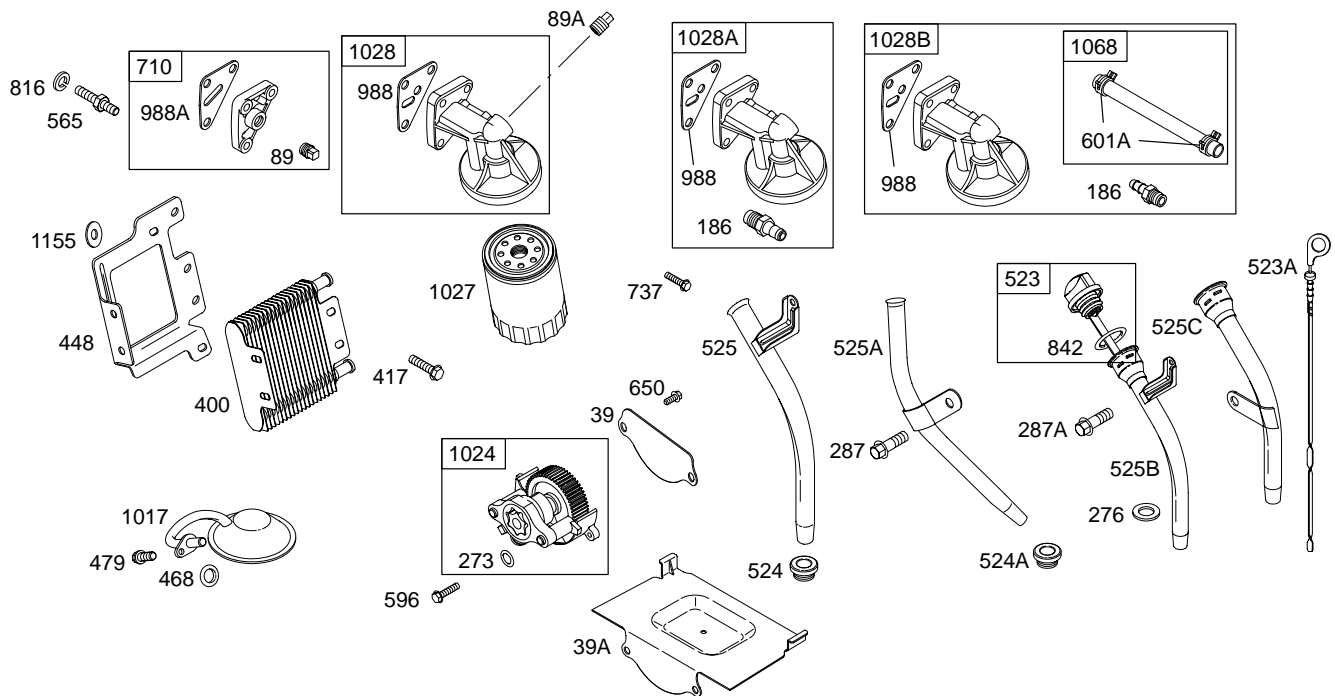


Illustrations cover a range of engines. Parts shown without corresponding text may not be used on your specific engine.
 9691-3 Assemblies include all parts shown in frames. 3C-8/2001

303400

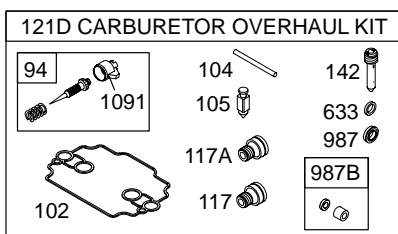
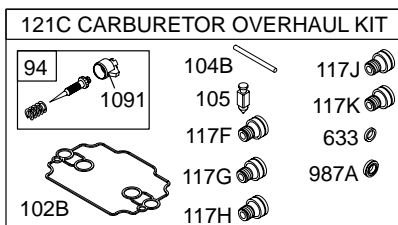
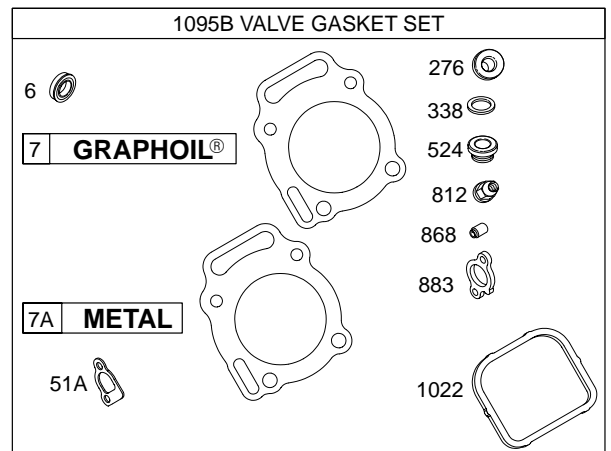
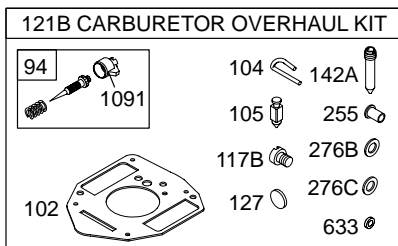
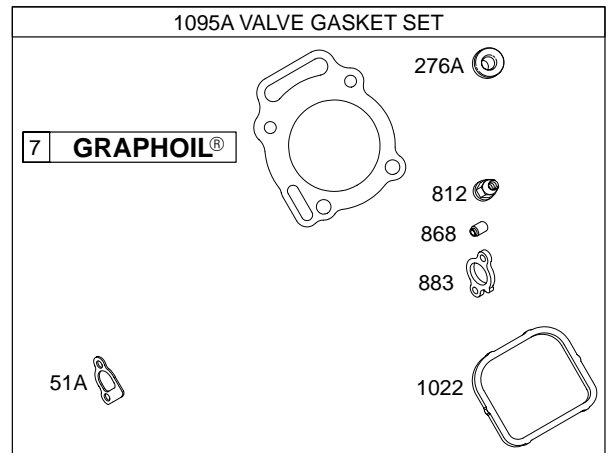
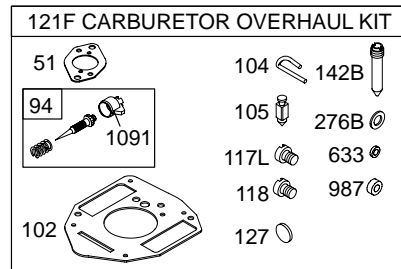
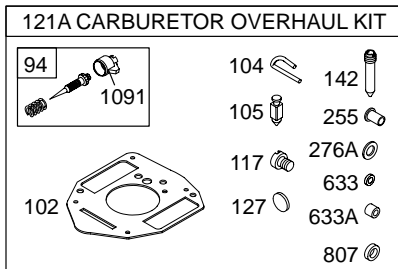
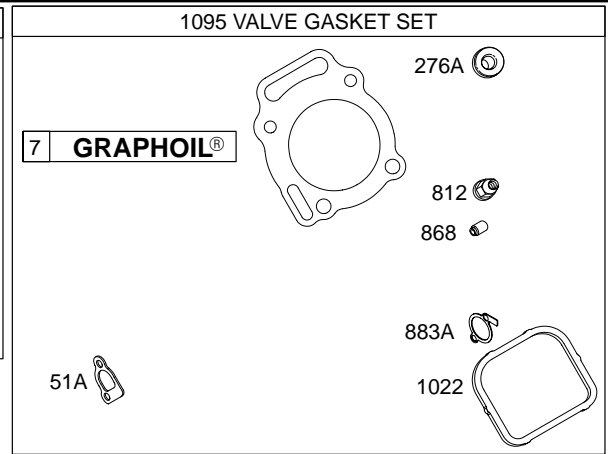
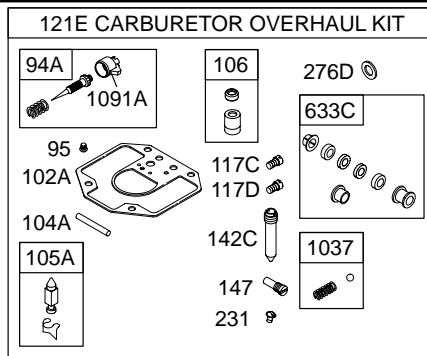
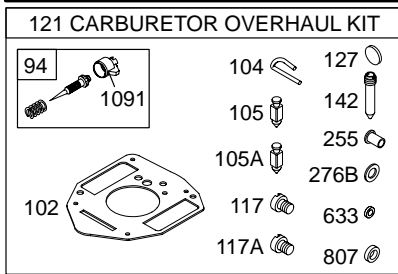


Illustrations cover a range of engines. Parts shown without corresponding text may not be used on your specific engine.
 9691-4 Assemblies include all parts shown in frames. 3C-8/2001

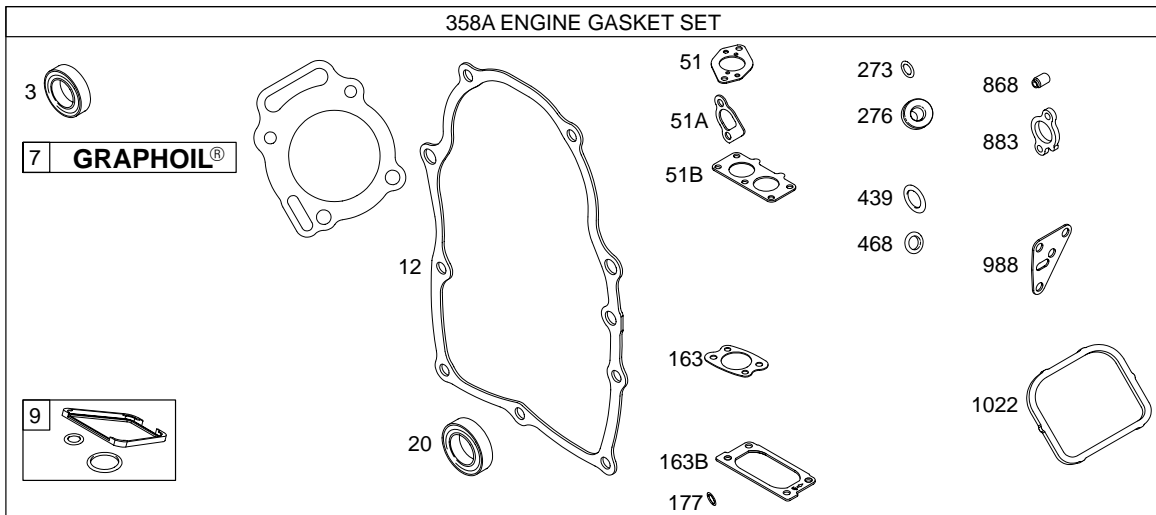
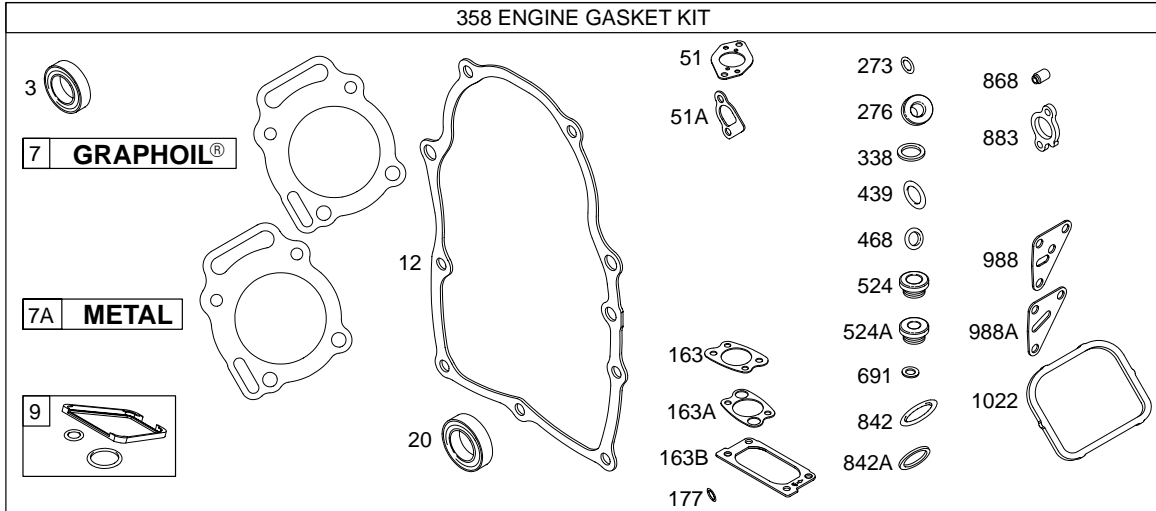


Illustrations cover a range of engines. Parts shown without corresponding text may not be used on your specific engine.
 9691-5 Assemblies include all parts shown in frames. 3C-8/2001

303400

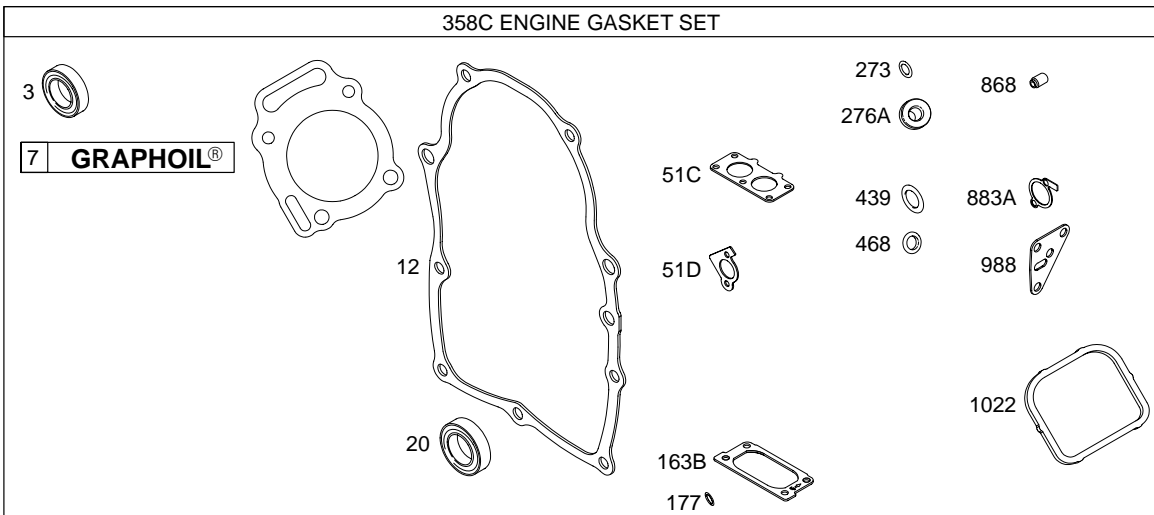
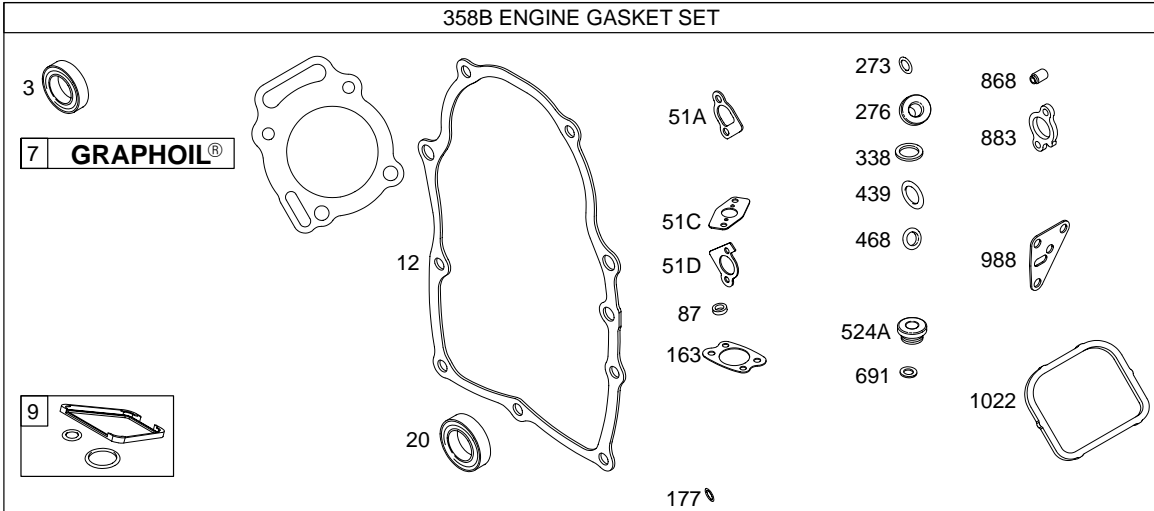


Illustrations cover a range of engines. Parts shown without corresponding text may not be used on your specific engine.
9691-6 Assemblies include all parts shown in frames. 3C-8/2001

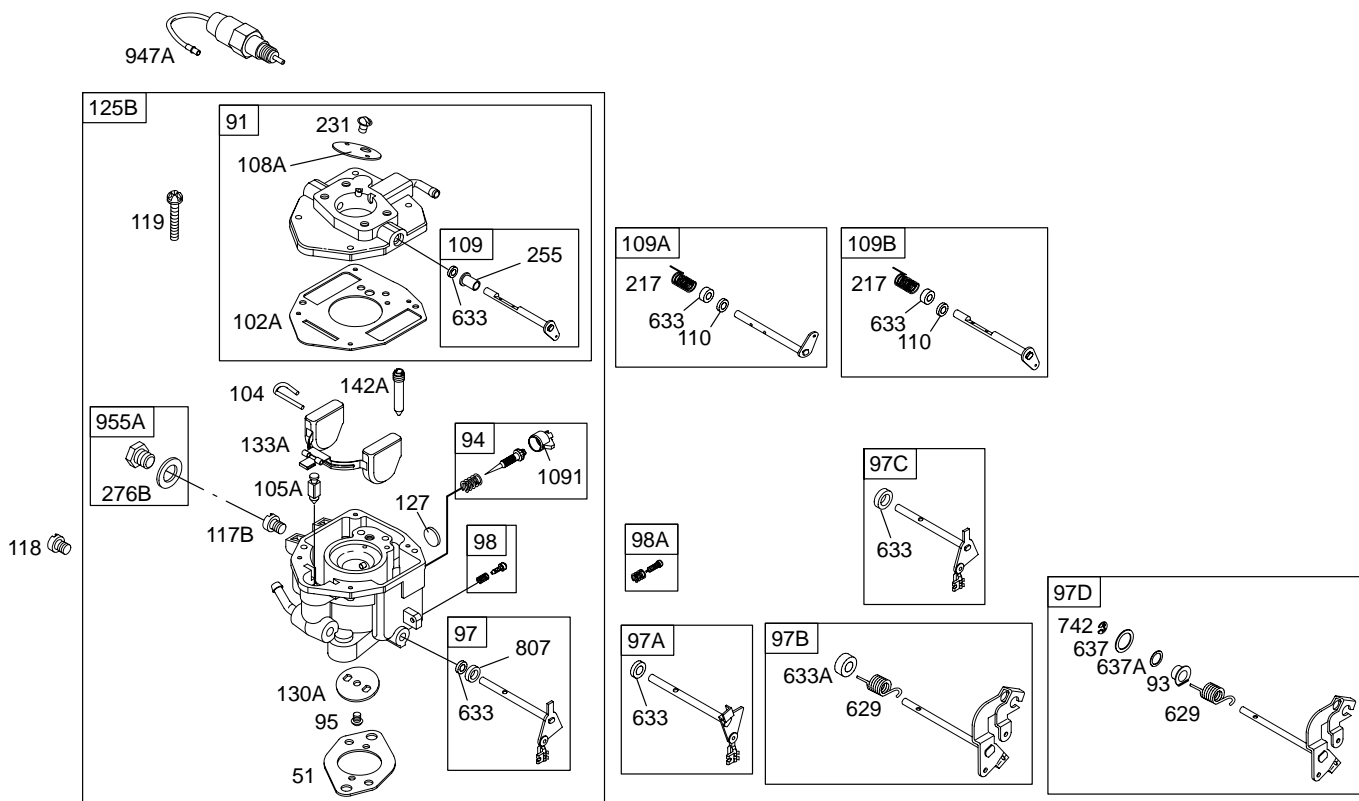
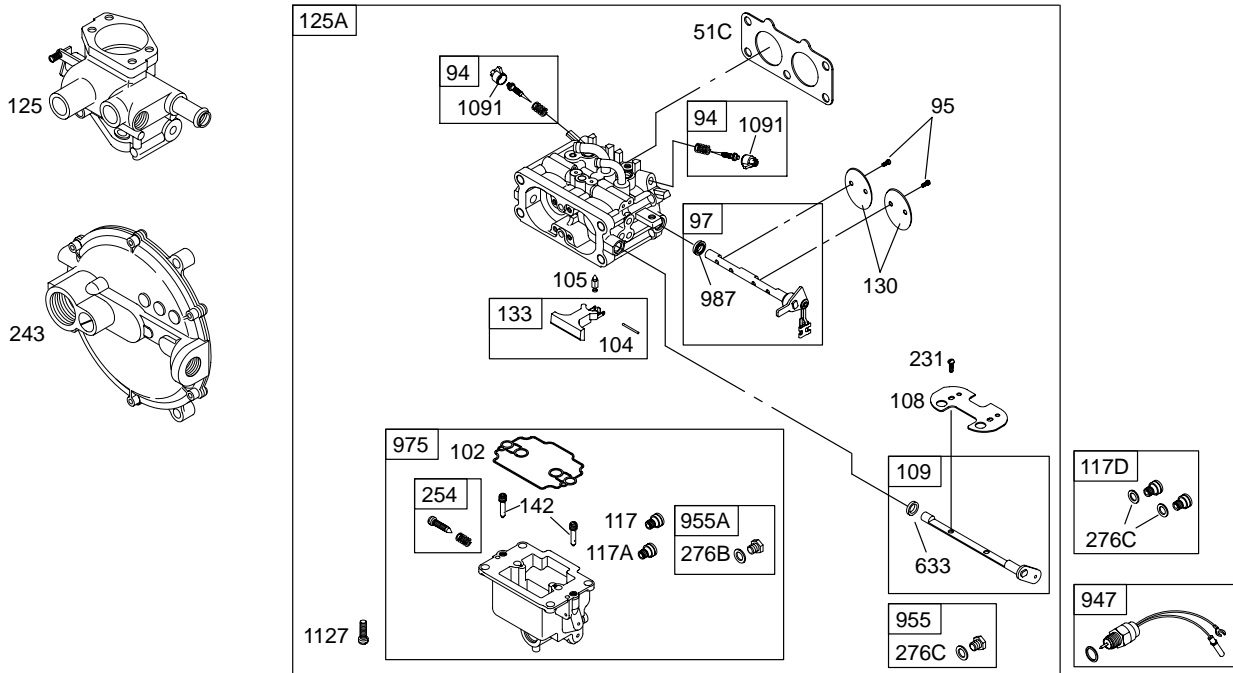


Illustrations cover a range of engines. Parts shown without corresponding text may not be used on your specific engine.
 9691-7 Assemblies include all parts shown in frames. 3C-8/2001

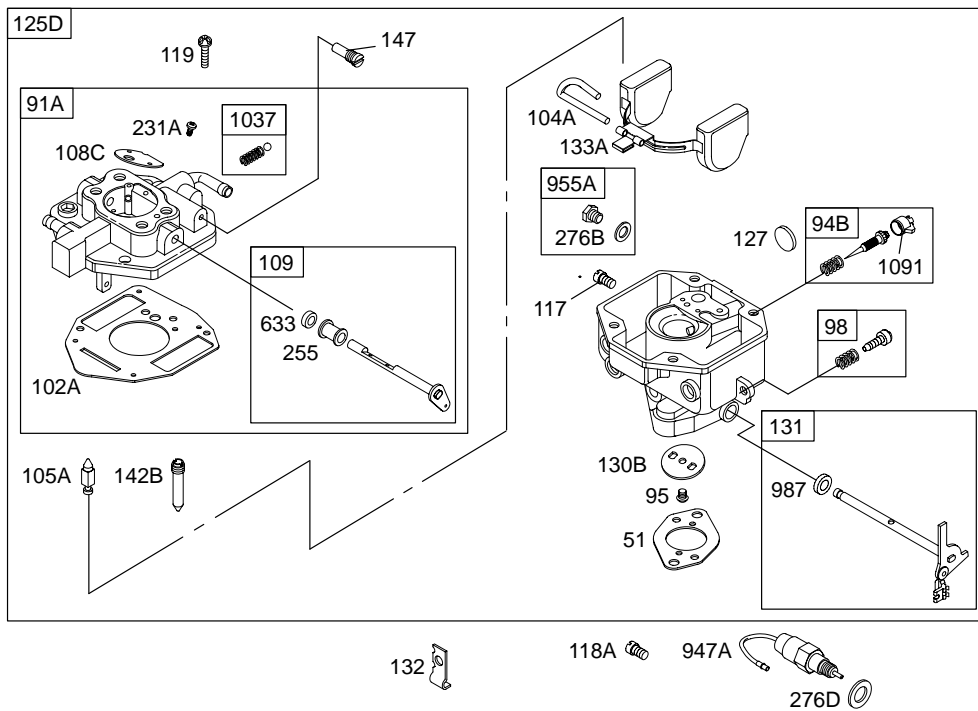
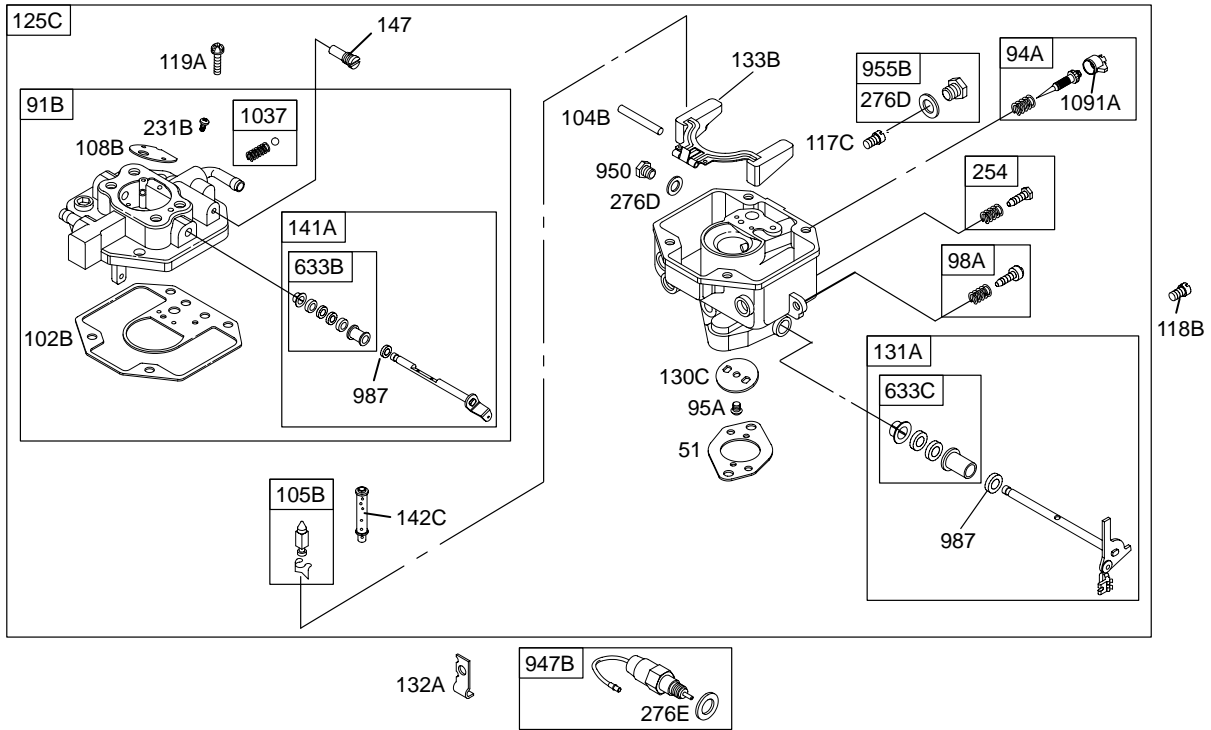




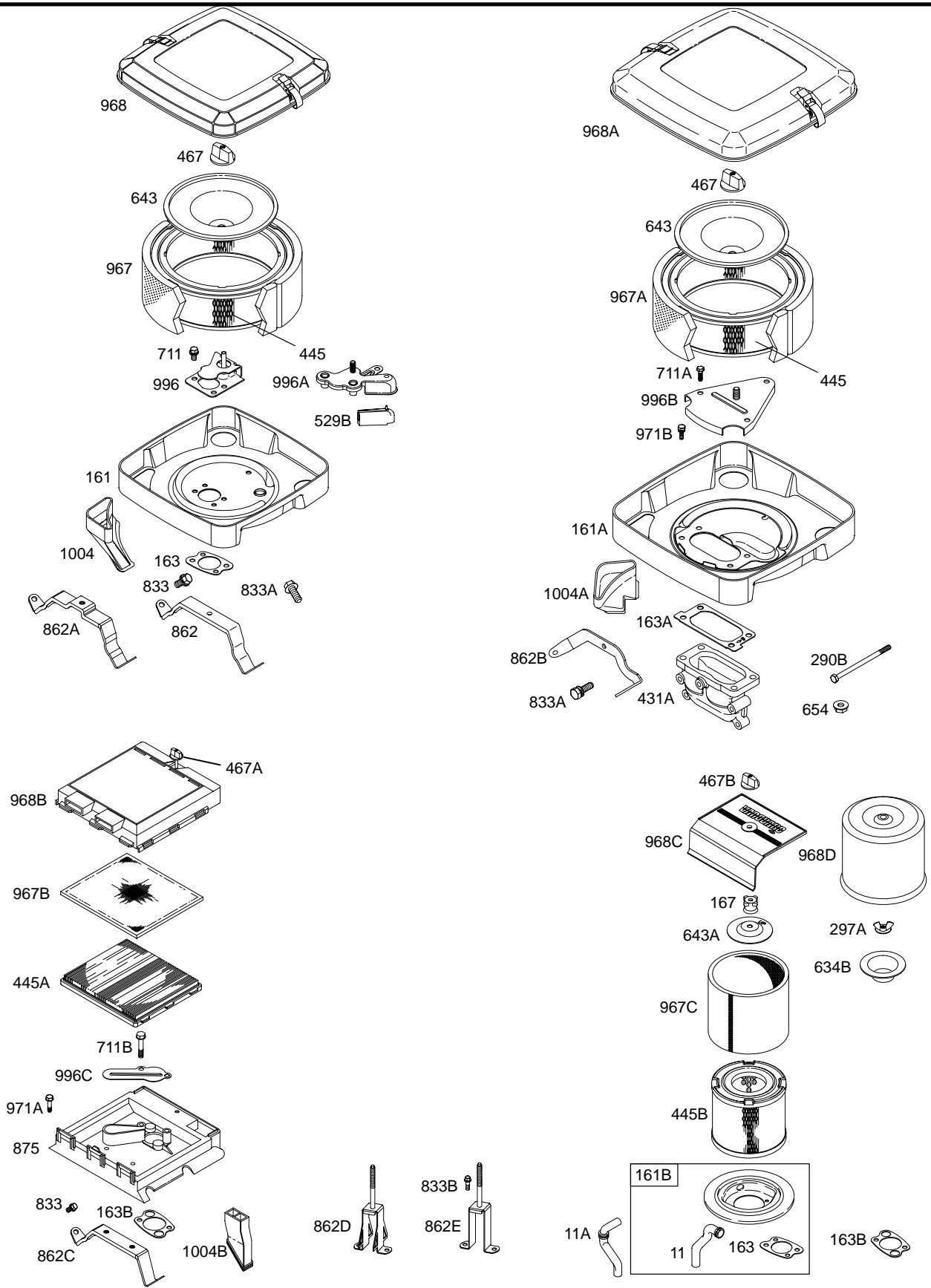
Illustrations cover a range of engines. Parts shown without corresponding text may not be used on your specific engine.



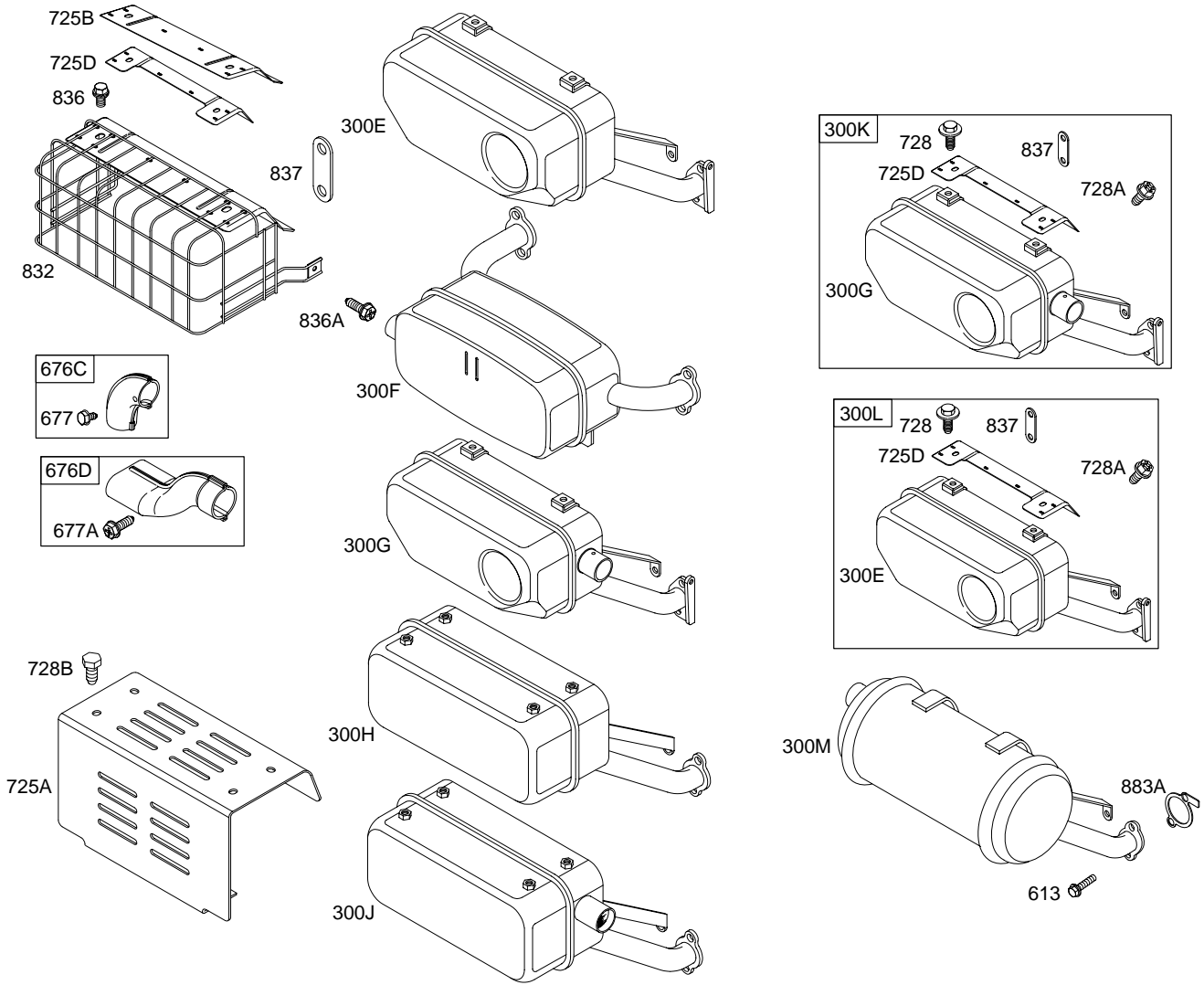
Illustrations cover a range of engines. Parts shown without corresponding text may not be used on your specific engine.
 9691-9 Assemblies include all parts shown in frames. 3C-8/2001



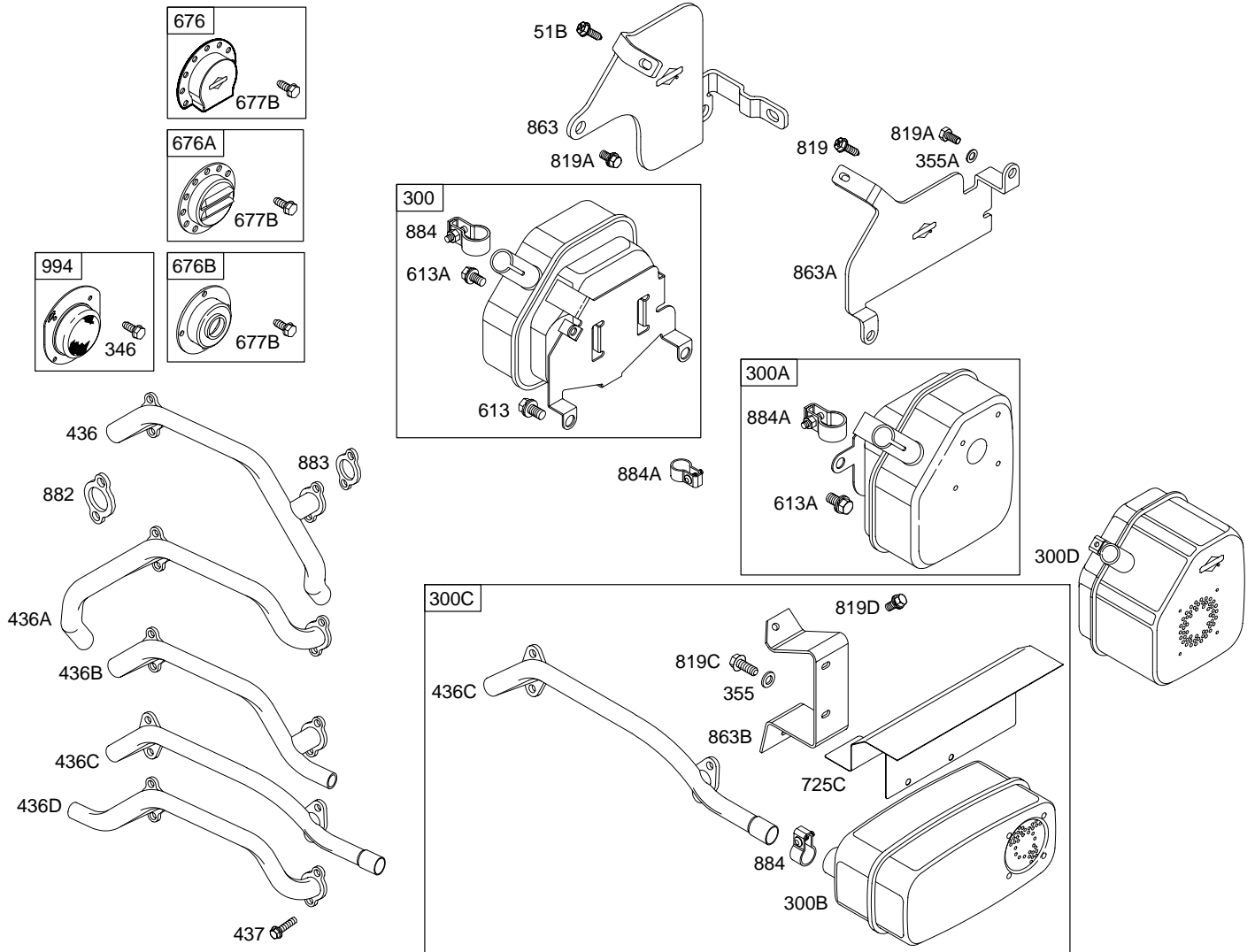
Illustrations cover a range of engines. Parts shown without corresponding text may not be used on your specific engine.
 9691-10 Assemblies include all parts shown in frames. 3C-8/2001



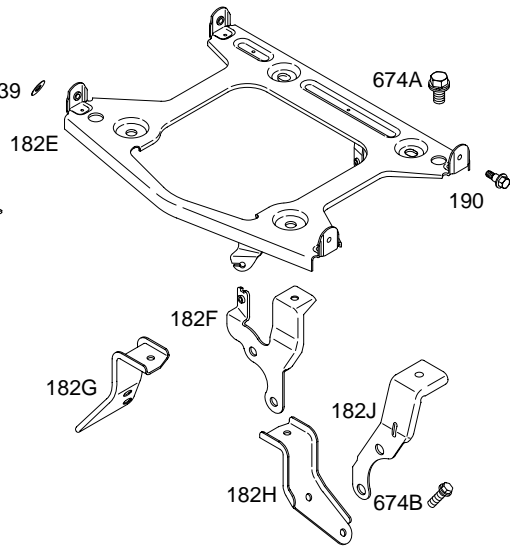
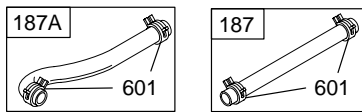
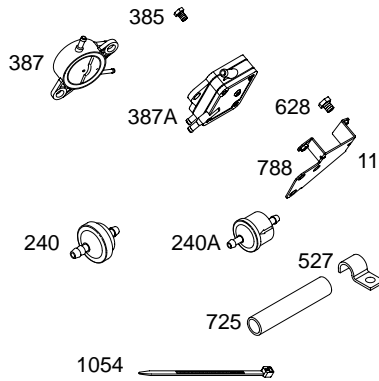
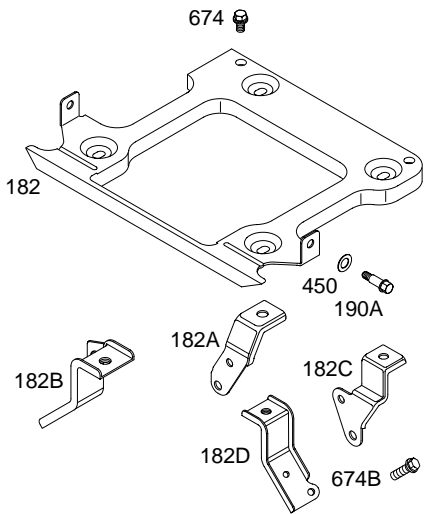
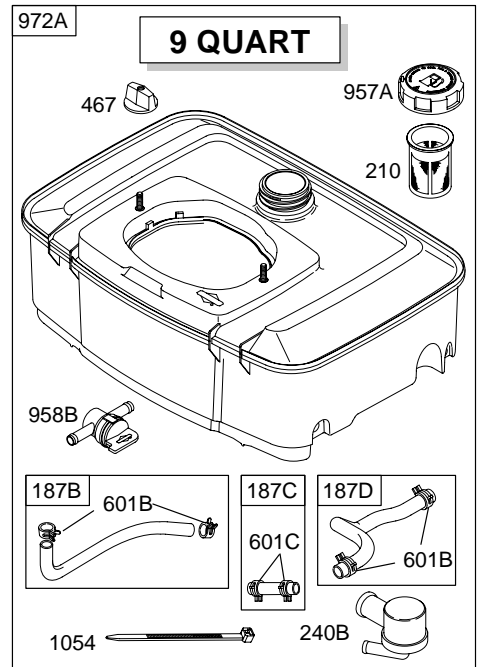
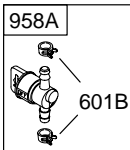
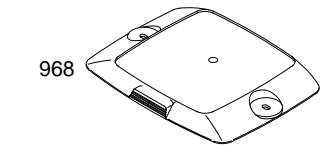
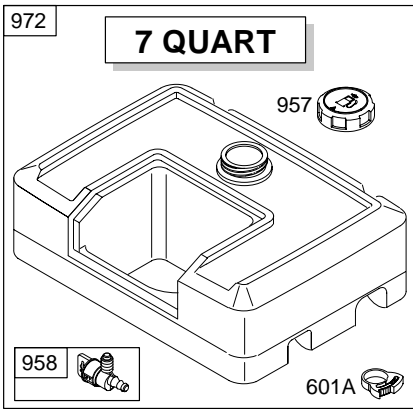
Illustrations cover a range of engines. Parts shown without corresponding text may not be used on your specific engine.
 9691-11 Assemblies include all parts shown in frames. 3C-8/2001



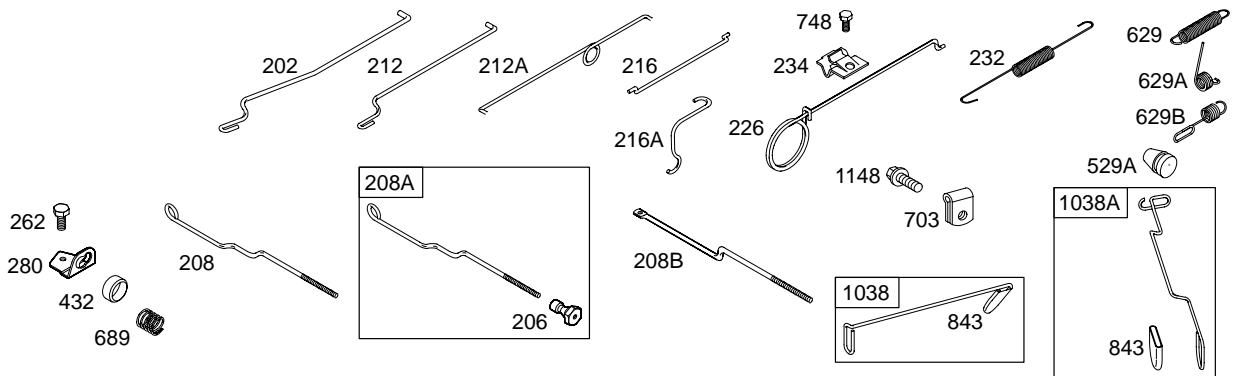
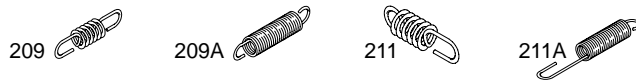
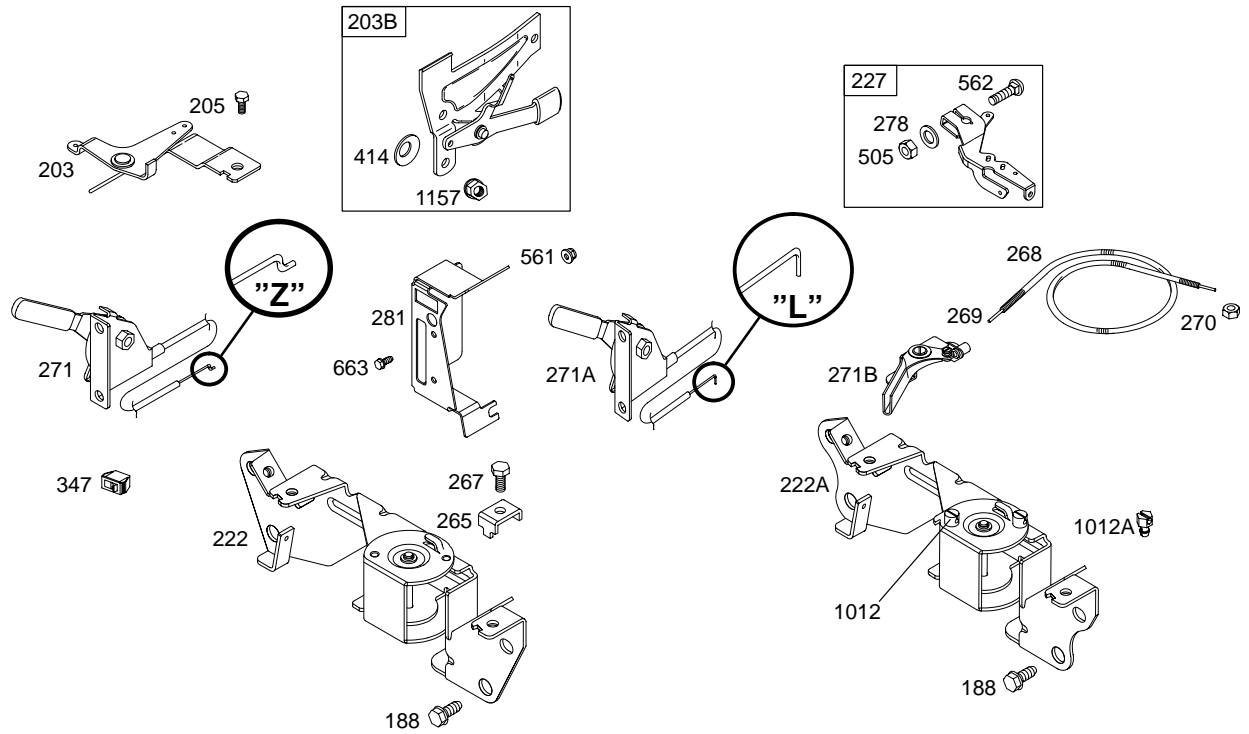
Illustrations cover a range of engines. Parts shown without corresponding text may not be used on your specific engine.



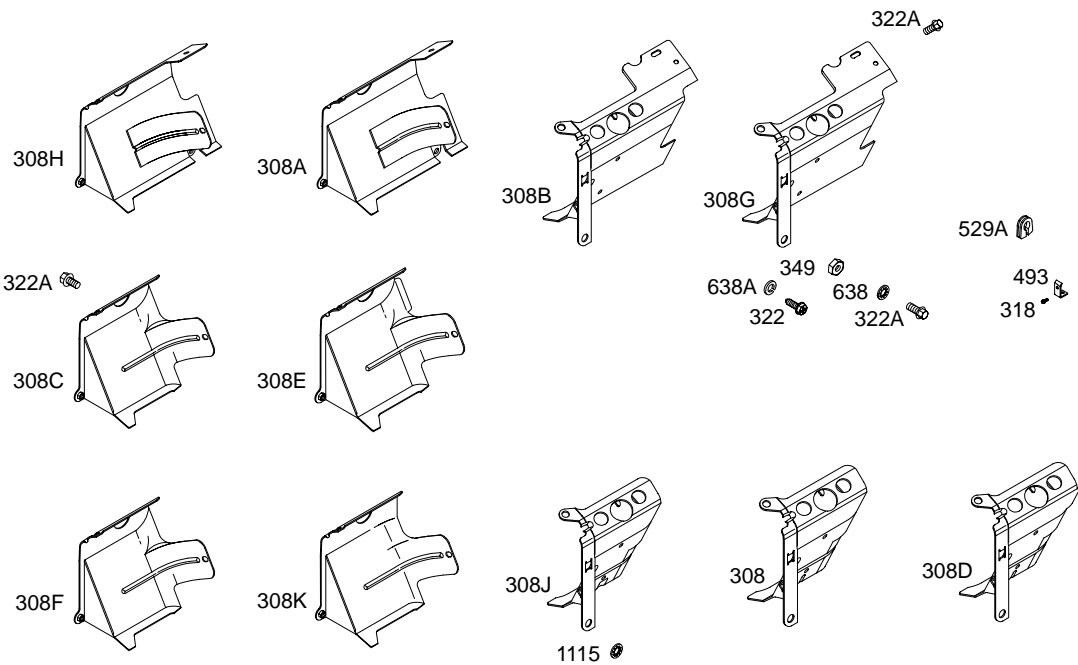
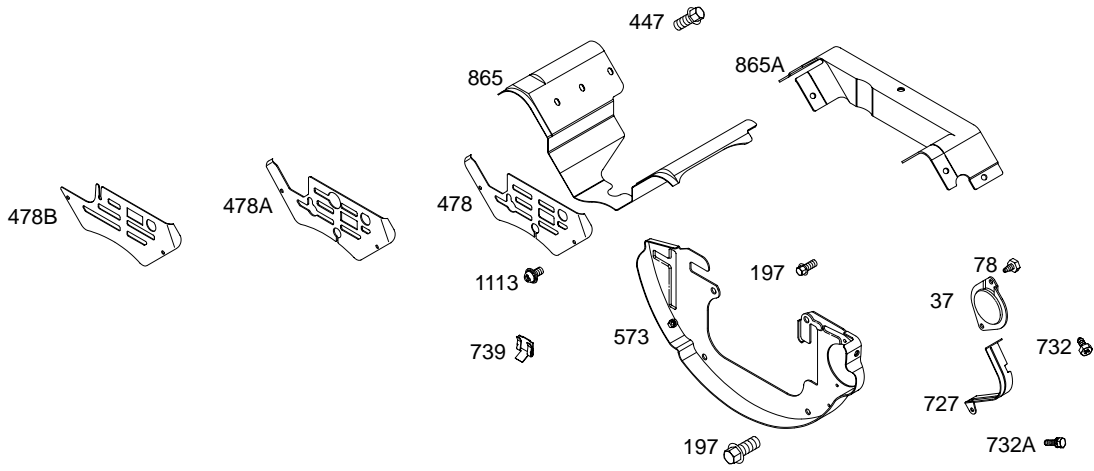
Illustrations cover a range of engines. Parts shown without corresponding text may not be used on your specific engine.
 9691-13 Assemblies include all parts shown in frames. 3C-8/2001



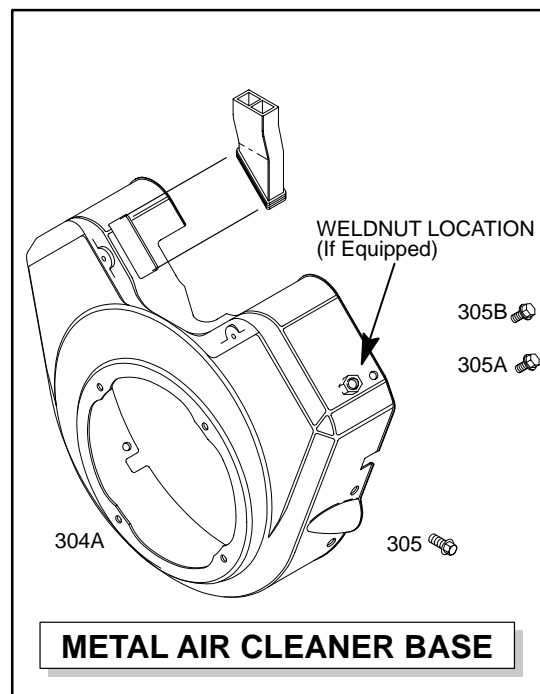
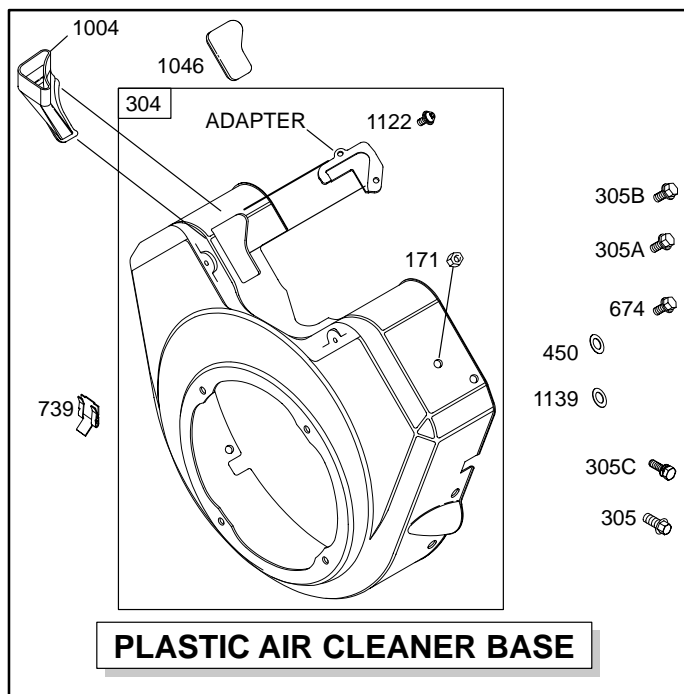
Illustrations cover a range of engines. Parts shown without corresponding text may not be used on your specific engine.
9691-14 Assemblies include all parts shown in frames. **3C-8/2001**



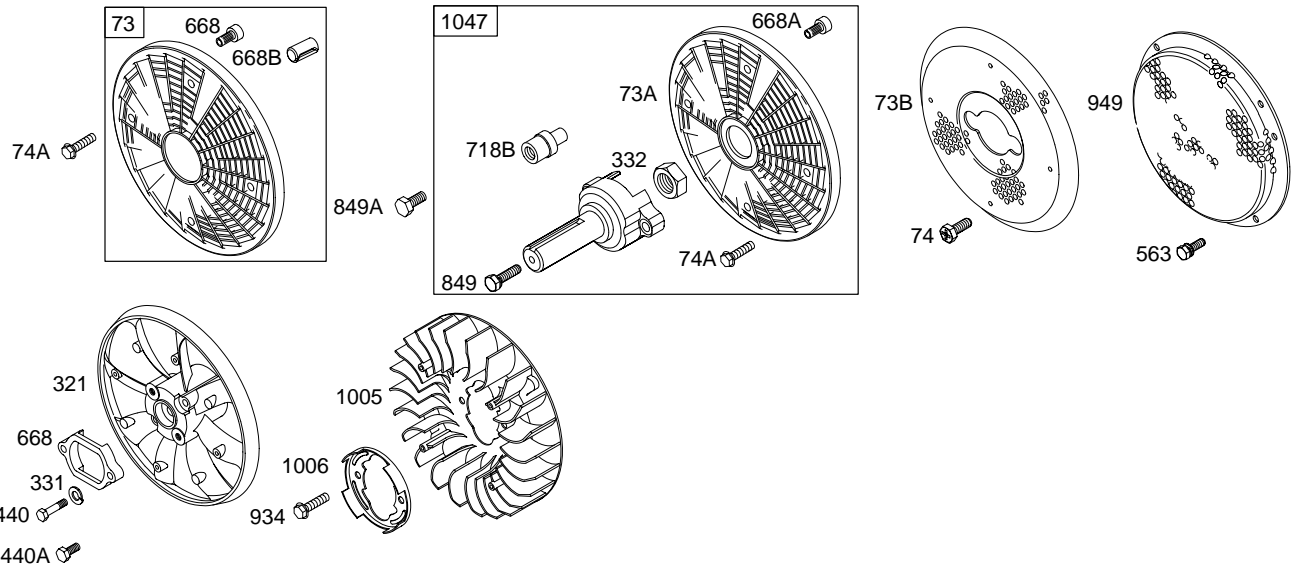
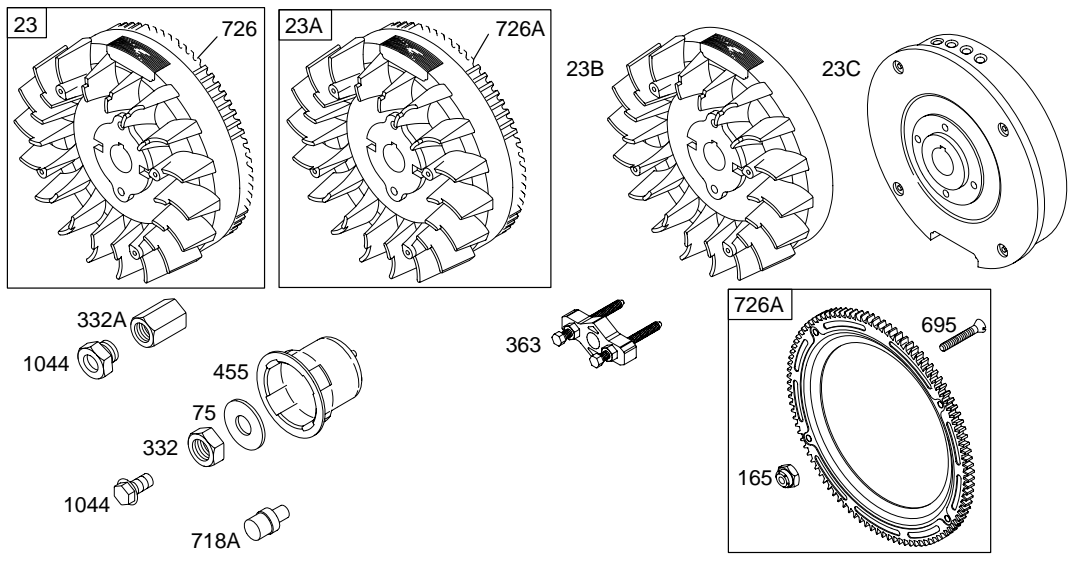
Illustrations cover a range of engines. Parts shown without corresponding text may not be used on your specific engine.
 9691-15 Assemblies include all parts shown in frames. 3C-8/2001



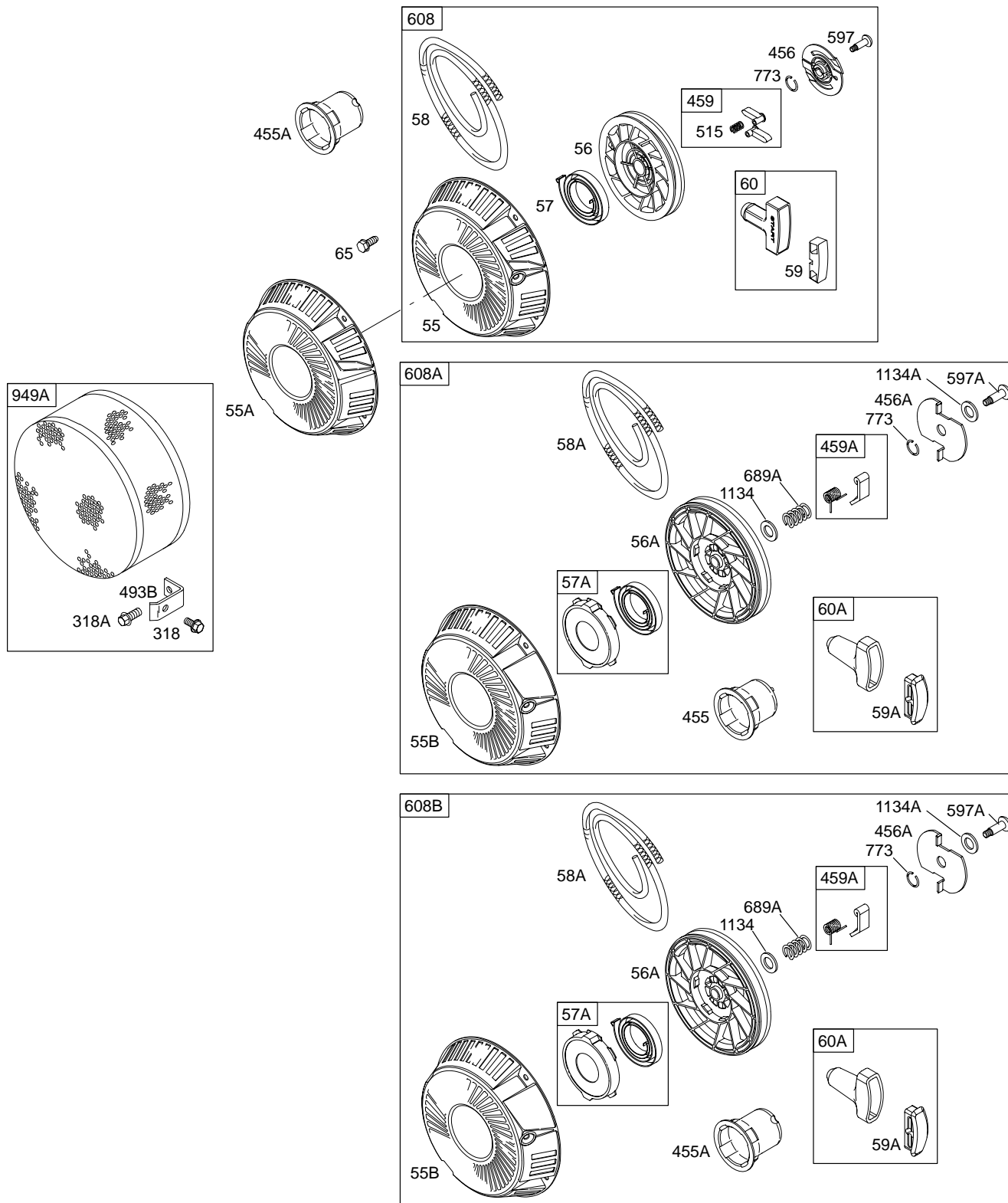
Illustrations cover a range of engines. Parts shown without corresponding text may not be used on your specific engine.
 9691-16 Assemblies include all parts shown in frames. 3C-8/2001



1036 EMISSION LABEL



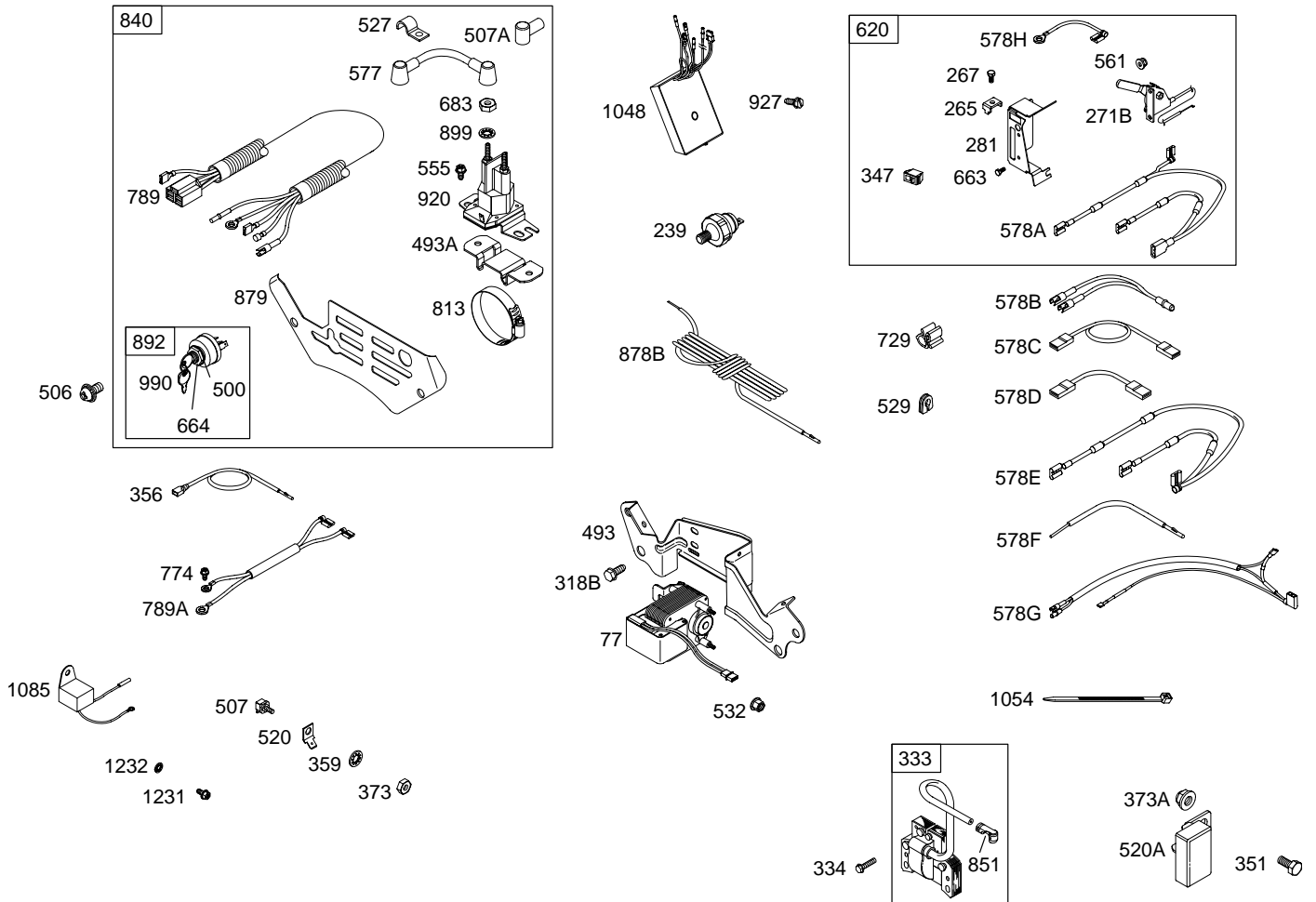
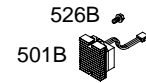
Illustrations cover a range of engines. Parts shown without corresponding text may not be used on your specific engine.
9691-18 **Assemblies include all parts shown in frames.** **3C-8/2001**



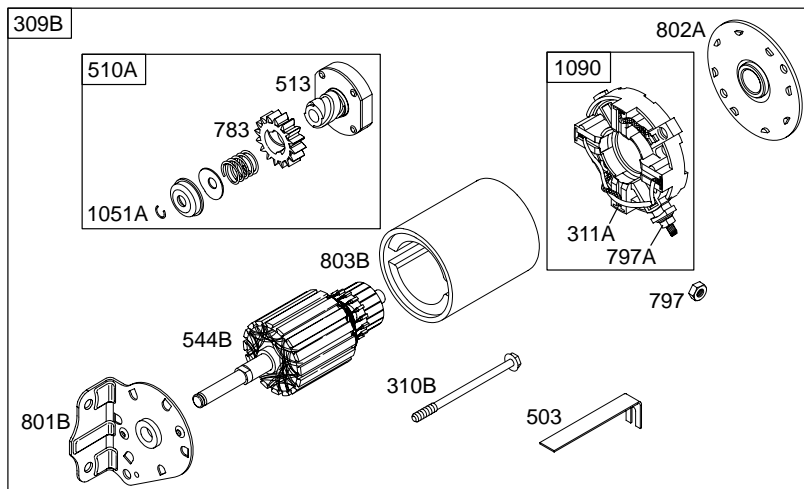
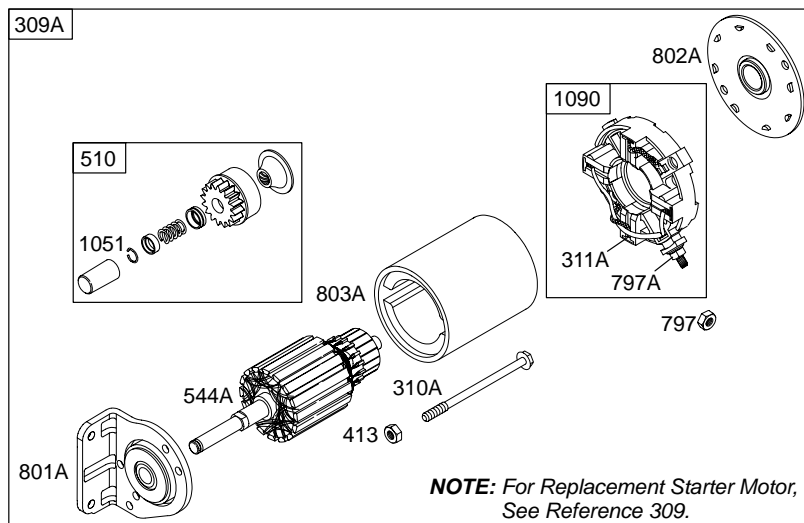
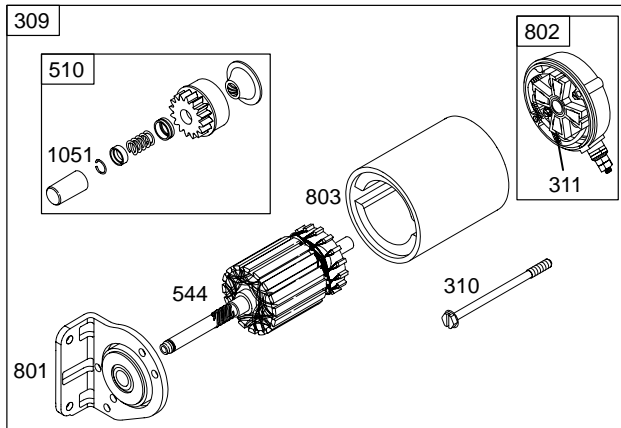
Illustrations cover a range of engines. Parts shown without corresponding text may not be used on your specific engine.
 9691-19 Assemblies include all parts shown in frames. 3C-8/2001

303400

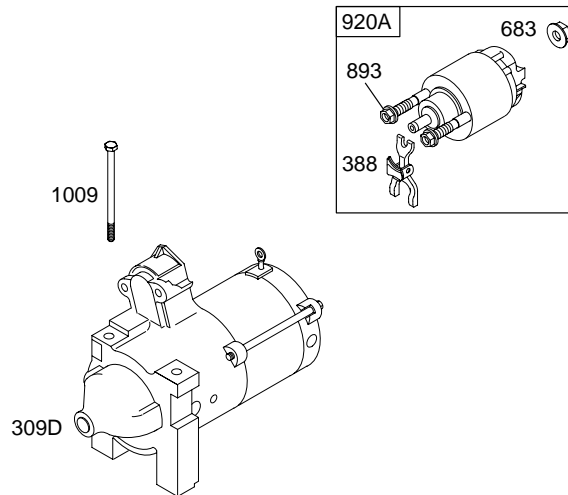
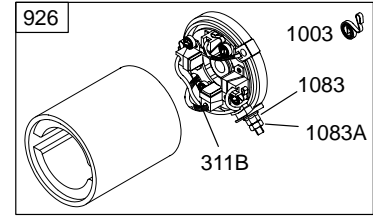
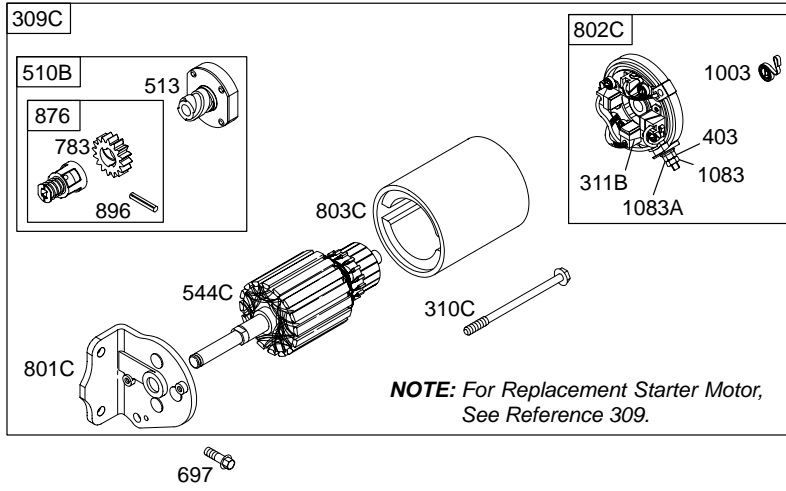
AC ONLY	DC ONLY	DUAL CIRCUIT	TRI CIRCUIT	9 AMP	10 AMP	16 AMP
474	474A	474B	474C	474C	474D	474D
578	578	878	878A	578	578	578
<p>NOTE: All Stators Use No. 1119 Mounting Screw. </p> <p>NOTE: The proper flywheel part number and/or the alternator magnet size will determine the alternator type or output. See repair instruction manual for additional information.</p>				526A 501A	526 501	



Illustrations cover a range of engines. Parts shown without corresponding text may not be used on your specific engine.
 9691-20 Assemblies include all parts shown in frames. 3C-8/2001



Illustrations cover a range of engines. Parts shown without corresponding text may not be used on your specific engine.
 9691-21 Assemblies include all parts shown in frames. 3C-8/2001



REF. NO.	PART NO.	DESCRIPTION	REF. NO.	PART NO.	DESCRIPTION	REF. NO.	PART NO.	DESCRIPTION
1	692178	Cylinder Assembly (Used After Code Date 97043000). Note — 807521 Cylinder Assembly (Used Before Code Date 97050100).	3	★805101	Seal—Oil (Magneto Side)	8	808984	Breather Assembly
2	808534	Kit—Bushing/Seal (Magneto Side) (Used After Code Date 97043000). Note — 807687 Kit—Bushing/Seal (Magneto Side) (Used Before Code Date 97050100).	5	808381	Head—Cylinder (Cylinder 1)	9	★807688	Gasket—Breather
			5A	808382	Head—Cylinder (Cylinder 2)	10	690751	Screw (Breather Assembly) (Used After Code Date 90111400). Note — 805194 Screw (Breather Assembly) (Used Before Code Date 90111500).
			6	Δ805193	Washer (Cylinder Head) (Used Before Code Date 94050100).	11	691556	Tube—Breather
			7	★Δ806085	Gasket—Cylinder Head (Graphoil) (Used After Code Date 96033100).	11A	806083	Tube—Breather
			7A	Δ★807986	Gasket—Cylinder Head (Metal) (Used Before Code Date 96040100).	12	★691684	Gasket—Crankcase
						13	692059	Screw (Cylinder Head)
						15	690946	Plug—Oil Drain

★ Included in Engine Gasket Set—Ref. No.358.

● Included in Carburetor Overhaul Kit—Ref. No. 121.

◆ Included in Carburetor Gasket Set—Ref. No. 977.

∅ Included in Valve Gasket Set—Ref. No 1095.

Illustrations cover a range of engines. Parts shown without corresponding text may not be used on your specific engine.

303400

7	REF. NO.	PART NO.	DESCRIPTION	REF. NO.	PART NO.	DESCRIPTION	REF. NO.	PART NO.	DESCRIPTION			
	16	692161	Crankshaft (Used After Code Date 970483000). 807589 Crankshaft (Used Before Code Date 97050100). 692159 Crankshaft (Used After Code Date 97043000). Used on Type No(s). 1220. 807586 Crankshaft (Used Before Code Date 97050100). Used on Type No(s). 0440, 1128, 1142, 1220. 692162 Crankshaft (Used After Code Date 97043000). Used on Type No(s). 1077, 1171, 1256, 1377. 807590 Crankshaft (Used Before Code Date 97050100). Used on Type No(s). 0021, 0041, 0044, 0049, 0051, 0077, 0309, 0351, 0377, 0474, 1009, 1051, 1077, 1171, 1174, 1256. 692163 Crankshaft (Used After Code Date 97043000). Used on Type No(s). 1019, 1033, 1042, 1049, 1074, 1078, 1105, 1108, 1116, 1167, 1168, 1176, 1177, 1189, 1194, 1198, 1231, 1251, 1252, 1283 1378, 1403, 1409. 807745 Crankshaft (Used Before Code Date 97050100). Used on Type No(s). 0022, 0027, 0028, 0035, 0037, 0042, 0044, 0052, 0054, 0060, 0061, 0074 0078, 0084, 0085, 0092, 0123, 0129, 0130, 0136, 0312,			0315, 0317, 0319, 0321, 0325, 0327 0339, 0342, 0344, 0350, 0352, 0354, 0360, 0362, 0365 ,0366, 0373, 0374 0378 ,0382, 0385 ,0391, 0392 0394 ,0396, 0397, 0399, 0404, 0405, 0415 ,0416 0417, 0419, 0420, 0425, 0427 0428, 0430, 0435, 0450, 0453 0458, 0464 ,0475 ,0476 0477, 0481, 0488, 0489, 0494, 0495, 0496, 0498, 0501, 0502, 0505, 0518, 1012, 1013, 1015, 1017, 1019, 1021, 1025, 1031, 1033, 1042, 1044, 1049, 1054, 1060, 1062, 1066, 1073, 1074, 1078, 1087, 1094, 1104, 1105, 1108, 1111, 1114, 1116, 1118, 1119, 1120, 1127, 1129, 1131, 1133 ,1141, 1158, 1159, 1164, 1167, 1168, 1175, 1176, 1177, 1181, 1189, 1194, 1195, 1196, 1198, 1205, 1208, 1218, 1231 1250, 1251, 1252, 1257, 1262. 692165 Crankshaft (Used After Code Date 97043000). Used on Type No(s). 1232, 1293, 1412, 1413. 807806 Crankshaft (Used Before Code Date 97050100). Used on Type No(s). 1232. 692166 Crankshaft (Used After Code Date 97043000). Used on Type No(s). 1162.			807849 Crankshaft (Used Before Code Date 97050100). Used on Type No(s). 0133, 0412, 0462, 1112, 1162. 692167 Crankshaft (Used After Code Date 97043000). Used on Type No(s). 1138. 807851 Crankshaft (Used Before Code Date 97050100). Used on Type No(s). 0138, 0139, 0438, 0439, 0491, 0492, 1138, 1149, 1191, 1192, 1217. 808000 Crankshaft Used on Type No(s). 0446. 692168 Crankshaft (Used After Code Date 97043000). Used on Type No(s). 1180. 808056 Crankshaft (Used Before Code Date 97050100). Used on Type No(s). 0456, 0480, 1180. 692169 Crankshaft (Used After Code Date 97043000). Used on Type No(s). 1238. 808296 Crankshaft (Used Before Code Date 97050100). Used on Type No(s). 1238. 808975 Crankshaft Used on Type No(s). 1381, 1410.	17	690752	Bearing–Ball ————— Note ————— 691541 Bearing–Ball Used on Type No(s). 1238, 1256.

★ Included in Engine Gasket Set–Ref. No.358.

● Included in Carburetor Overhaul Kit–Ref. No. 121.

◆ Included in Carburetor Gasket Set–Ref. No. 977.

⊘ Included in Valve Gasket Set–Ref. No 1095.

Illustrations cover a range of engines. Parts shown without corresponding text may not be used on your specific engine.

REF. NO.	PART NO.	DESCRIPTION	REF. NO.	PART NO.	DESCRIPTION	REF. NO.	PART NO.	DESCRIPTION
18	808847	Cover—Crankcase —— Note —— 807884 Cover—Crankcase Used on Type No(s). 0133, 0412, 1112, 1155, 1174. 808512 Cover—Crankcase Used on Type No(s). 1238, 1256. 808508 Cover—Crankcase Used on Type No(s). 1104, 1105, 1108, 1191, 1192, 1252, 1283, 1381, 1409, 1410.	25	807619	Piston Assembly (Standard) —— Note —— 807807 Piston Assembly (.010" Oversize) 807809 Piston Assembly (.020" Oversize) 807811 Piston Assembly (.030 Oversize)	42	807683	Keeper—Valve
20	★805049	Seal—Oil (PTO Side)	26	807620	Ring Set (Standard) —— Note —— 807808 Ring Set (.010" Oversize) 807810 Ring Set (.020" Oversize) 807812 Ring Set (.030" Oversize)	45	690977	Tappet—Valve
22	692540	Screw (Crankcase Cover)	27	690683	Lock—Piston Pin	46	691557	Camshaft —— Note —— 692157 Camshaft Used on Type No(s). 0404, 0405, 0491, 0492, 1104, 1105, 1108, 1191, 1192 1252, 1283, 1381, 1409, 1410.
23	808766	Flywheel (Steel Ring Gear) —— Note —— 808774 Flywheel (Steel Ring Gear) Used on Type No(s). 1232, 1293. 808770 Flywheel (Steel Ring Gear) Used on Type No(s). 1057, 1110, 1236, 1278, 1295.	28	807621	Pin—Piston (Standard)	50	690754	Manifold—Intake (Used After Code Date 92043000). —— Note —— 805409 Manifold— Intake (Used Before Code Date 92050100).
23A	690892	Flywheel (Aluminum Ring Gear) —— Note —— 690891 Flywheel (Aluminum Ring Gear) Used on Type No(s). 1232, 1293. 692158 Flywheel (Aluminum Ring Gear) Used on Type No(s). 1057, 1278, 1295.	29	807900	Rod—Connecting (Standard) —— Note —— 807803 Rod— Connecting (.020" Undersize)	50A	692124	Manifold—Intake Used on Type No(s). 1156, 1279, 1381, 1409, 1410.
23B	690889	Flywheel (For Rewind Starter)	32	690698	Screw (Connecting Rod)	51	★691694	Gasket—Intake (Carburetor to Manifold)
			33	807681	Valve—Exhaust	51A	Δ★692035	Gasket—Intake (Manifold to Head)
			34	807680	Valve—Intake	54	690676	Screw (Inake Manifold)
			35	692084	Spring—Valve (Intake) (Used After Code Date 94011700).	55	691568	Housing—Rewind Starter
			35A	808159	Spring—Valve (Intake) (Used Before Code Date 94011800).	55B	492193	Housing—Rewind Starter
			36	692084	Spring—Valve (Exhaust)	56	692085	Pulley—Starter
			37	690715	Guard—Flywheel (Black) —— Note —— 805504 Guard— Flywheel (Red)	56A	280918	Pulley—Starter —— Note —— 281235 Pulley—Starter Used on Type No(s). 0448.
			39	690745	Deflector—Oil (Used After Code Date 98050700).	57	692086	Spring—Rewind Starter
			40	692058	Retainer—Valve	57A	492194	Spring—Rewind Starter
						58	66574	Rope—Starter (Cut to Required- Length)
						58A	66894	Rope—Starter (Cut to Required- Length)
						59	805957	Insert—Grip
						59A	490653	Insert—Grip
						60	808167	Grip—Starter Rope
						60A	490652	Grip—Starter Rope
						65	692539	Screw (Rewind Starter)

★ Included in Engine Gasket Set—Ref. No.358.

● Included in Carburetor Overhaul Kit—Ref. No. 121.

◆ Included in Carburetor Gasket Set—Ref. No. 977.

⊘ Included in Valve Gasket Set—Ref. No 1095.

Illustrations cover a range of engines. Parts shown without corresponding text may not be used on your specific engine.

303400

REF. NO.	PART NO.	DESCRIPTION	REF. NO.	PART NO.	DESCRIPTION	REF. NO.	PART NO.	DESCRIPTION				
69	94464	Washer (Starter Clutch)	97D	809095	Shaft–Throttle Used on Type No(s). 1381, 1410.	110	806861	Washer (Choke Shaft)				
69A	94462	Washer (Starter Clutch)	98	808177	Kit–Idle Speed	117B	●690862	Jet–Main (Standard)				
73	494439	Screen–Rotating (Flush)	98A	808981	Kit–Idle Speed Used on Type No(s). 1408.			Note				
73A	690749	Screen–Rotating (With Stub Shaft Hole)	102A	●692077	Gasket–Carburetor Body			●690880 Jet–Main (Standard) Used on Type No(s). 1314.				
73B	690478	Screen–Rotating	104	●690723	Pin–Float Hinge	118	805537	Jet–Main (High Altitude)				
74	691655	Screw (Rotating Screen)	105A	●692078	Valve–Float Needle (Pump Feed)	119	690720	Screw (Upper To Lower Carburetor Body)				
74A	691647	Screw (Rotating Screen)			Note	121	809022	Kit–Carburetor Overhaul (Used After Code Date 0007100).				
74B	692056	Screw (Rotating Screen)			●805620 Valve–Float Needle (Gravity Feed) Used on Type No(s). 0036, 0037, 0040, 0047, 0048, 0049, 0054, 0555, 0057, 0058, 0070, 0076, 0085, 0129, 0130, 0133, 0137, 0138, 0139, 0140, 0141, 0142, 0308, 0312, 0317, 0321, 0325, 0340, 0347, 0348, 0350, 0354, 0355, 0357, 0358, 0362, 0366, 0370, 0372 0373, 0376, 0385, 0391, 0394, 0397, 0401, 0403, 0412, 0413, 0423, 0424, 0426, 0428 0437, 0438, 0439, 0448, 0458, 0474, 0481, 0491, 0492, 0494, 0510, 0518, 1008, 1012, 1017, 1021, 1025, 1040, 1047, 1048, 1054, 1055, 1058, 1062, 1066, 1070, 1072, 1073, 1076, 1112, 1113, 1124, 1148, 1158, 1174, 1178, 1181, 1191, 1192, 1194.							
75	691490	Washer (Flywheel)										
77	690819	Motor–Servo										
78	690688	Screw (Flywheel Guard)										
91	807919	Body–Upper Carburetor (Used After Code Date 90113000).										
		Note										
		807721 Body–Upper Carburetor (Used Before Code Date 90120100).										
		808964 Body–Upper Carburetor Used on Type No(s). 1409.										
		808980 Body–Upper Carburetor Used on Type No(s). 1381, 1410.										
93	807002	Bushing–Throttle Shaft										
94	●808257	Kit–Idle Mixture										
95	690718	Screw (Throttle Valve)										
97	807720	Shaft Throttle (Used Before Code Date 00071200).										
97A	808973	Shaft–Throttle (Used Before Code Date 00071200). Used on Type No(s). 1408.										
97B	808963	Shaft–Throttle Used on Type No(s). 1409.	108A	690719	Valve–Choke							
97C	809007	Shaft–Throttle (Used After Code Date 00071100).	109	807722	Shaft–Choke							
			109A	808962	Shaft–Choke Used on Type No(s). 1409.							
			109B	809096	Shaft–Choke Used on Type No(s). 1410, 1420.							
						121A	809023	Kit–Carburetor Overhaul (Used After Code Date 00071100). Used on Type No(s). 1409, 1410, 1413.				
								Note				
								808273 Kit– Carburetor Overhaul (Used After Code Date 94123100 and Before Code Date 00071200).				
								807850 Kit– Carburetor (Used Before Code Date 95010100).				
								808966 Kit– Carburetor (Used Before Code Date 00071200). Used on Type No(s). 1409, 1410.				
						122	690691	Spacer–Carburetor				

★ Included in Engine Gasket Set–Ref. No.358.

● Included in Carburetor Overhaul Kit–Ref. No. 121.

◆ Included in Carburetor Gasket Set–Ref. No. 977.

⊘ Included in Valve Gasket Set–Ref. No 1095.

Illustrations cover a range of engines. Parts shown without corresponding text may not be used on your specific engine.

7	REF. NO.	PART NO.	DESCRIPTION	REF. NO.	PART NO.	DESCRIPTION	REF. NO.	PART NO.	DESCRIPTION
	125B	808251	Carburetor (Pump Feed Without Solenoid) (Used Before Code Date 00071700). Note 809011 Carburetor (Pump Feed Without Solenoid) (Used After Code Date 00071800). 809016 (Pump Feed With Solenoid) (Used After Code Date 00081400). Used on Type No(s). 0393, 1182, 1236. 808290 Carburetor (Pump Feed With Solenoid) (Used Before Code Date 00081500). Used on Type No(s). 0393, 1182, 1236. 809013 Carburetor (Gravity Feed Without Solenoid) (Used After Code Date 00071100). Used on Type No(s). 1008, 1012, 1017, 1021, 1023, 1025, 1027, 1028, 1030, 1031, 1033, 1034, 1035, 1036, 1040, 1041, 1047, 1048, 1049, 1054, 1055, 1057, 1058, 1062, 1066, 1068, 1070, 1072, 1073, 1076, 1087, 1094, 1095, 1107, 1111, 1113, 1114, 1116, 1118, 1124, 1130, 1131, 1134, 1138, 1140, 1141, 1144, 1145, 1148, 1149, 1157, 1158, 1159, 1169, 1171, 1172, 1174, 1178, 1181, 1191, 1192, 1194, 1208, 1214, 1217, 1218, 1219, 1223, 1231, 1238, 1240, 1246, 1251, 1255, 1258, 1262, 1267, 1275, 1276, 1277, 1298, 1299, 1300, 1303, 1323, 1327, 1368. 809014 Carburetor (Gravity Feed With Solenoid) (Used After Code Date 00071100). Used on Type No(s). 1112, 1210, 1235, 1237, 1285. 808602 Carburetor (Gravity Feed With Solenoid) (Used Before Code Date 00071200). Used on Type No(s). 1112, 1210, 1235, 1237, 1285.			1276, 1277, 1298, 1299, 1300, 1303, 1313, 1323, 1327, 1368. 808252 Carburetor (Gravity Feed Without Solenoid) (Used Before Code Date 00071200). Used on Type No(s). 1008, 1012, 1017, 1021, 1023, 1025, 1027, 1028, 1030, 1031, 1033, 1034, 1035, 1036, 1040, 1041, 1047, 1048, 1049, 1054, 1055, 1057, 1058, 1062, 1066, 1068, 1070, 1072, 1073, 1076, 1087, 1094, 1095, 1107, 1111, 1113, 1114, 1116, 1118, 1124, 1130, 1131, 1134, 1138, 1140, 1141, 1144, 1145, 1148, 1149, 1157, 1158, 1159, 1169, 1171, 1172, 1174, 1178, 1181, 1191, 1192, 1194, 1208, 1214, 1217, 1218, 1219, 1223, 1231, 1238, 1240, 1246, 1251, 1255, 1258, 1262, 1267, 1275, 1276, 1277, 1298, 1299, 1300, 1303, 1323, 1327, 1368. 809014 Carburetor (Gravity Feed With Solenoid) (Used After Code Date 00071100). Used on Type No(s). 1112, 1210, 1235, 1237, 1285. 808602 Carburetor (Gravity Feed With Solenoid) (Used Before Code Date 00071200). Used on Type No(s). 1112, 1210, 1235, 1237, 1285.			808972 Carburetor Used on Type No(s). 1408. 808965 Carburetor Used on Type No(s). 1409. 808979 Carburetor Used on Type No(s). 1381, 1410. 127 ● 690727 Plug–Welch 130A ● 690726 Valve–Throttle 133A ● 691510 Float–Carburetor Note 806961 Float Carburetor Used on Type No(s). 1314, 1409, 1420. 142A ● 690725 Nozzle–Carburetor 146 ● 691639 Key–Timing 161 ● 691561 Base–Air Cleaner (Metal) Note 690909 Base–Air Cleaner (Metal) Used on Type No(s). 0452, 0463, 0468, 0490, 0493, 1131, 1152, 1188, 1190, 1193, 1269, 1291, 1292, 1296, 1297, 1315, 1381, 1410, 1420. 163 ★ 692081 Gasket–Air Cleaner 163B ★ 692052 Gasket–Air Cleaner 165 ● 693148 Nut (Ring Gear) 167 ● 692297 Seal–Air Cleaner Nut 171 ● 810056 Nut (Air Cleaner) 182 ● 492317 Bracket–Fuel Tank 182A ● 690778 Bracket–Fuel Tank 182B ● 690780 Bracket–Fuel Tank 182C ● 690779 Bracket–Fuel Tank 182D ● 690781 Bracket–Fuel Tank 182E ● 691566 Bracket–Fuel Tank 182F ● 691520 Bracket–Fuel Tank 182G ● 691523 Bracket–Fuel Tank 182H ● 691524 Bracket–Fuel Tank 182J ● 691525 Bracket–Fuel Tank

★ Included in Engine Gasket Set–Ref. No.358.

● Included in Carburetor Overhaul Kit–Ref. No. 121.

◆ Included in Carburetor Gasket Set–Ref. No. 977.

∅ Included in Valve Gasket Set–Ref. No 1095.

Illustrations cover a range of engines. Parts shown without corresponding text may not be used on your specific engine.

303400

7	REF. NO.	PART NO.	DESCRIPTION	REF. NO.	PART NO.	DESCRIPTION	REF. NO.	PART NO.	DESCRIPTION					
	187	296004	Line-Fuel (Cut To Required Length) Note _____ 691050 Line-Fuel Used on Type No(s). 1381,1420.		690709	Spring-Governor Used on Type No(s). 0027, 0036, 0054, 0060, 0061, 0074, 0084, 0085, 0092, 0123, 0133, 0136, 0312, 0313, 0315, 0317, 0319, 0321 0325, 0327, 0339, 0350, 0354, 0360, 0362, 0365, 0366, 0373, 0374, 0382, 0385, 0391, 0392, 0394, 0397, 0399, 0412, 0416, 0417, 0419, 0420, 0427, 0428, 0430, 0435, 0453, 0458, 0464, 0475, 0476, 0477, 0481, 0488, 0489, 0495, 0496, 0501, 0502, 0505, 0518, 1012, 1013, 1015, 1017, 1019, 1021, 1025, 1031, 1033, 1049, 1054, 1060, 1062, 1066, 1073, 1074, 1087, 1094, 1111, 1112, 1114, 1116, 1118, 1119, 1120, 1127, 1129, 1131, 1133, 1141, 1158, 1159, 1164, 1167, 1168, 1175, 1176, 1177, 1181, 1189, 1195, 1196, 1205, 1208, 1218, 1231, 1250, 1251, 1262, 1403. 691507 Spring-Governor Used on Type No(s). 0326, 1026, 1270. 690710 Spring-Governor Used on Type No(s). 0493, 1193, 1291. 692071 Spring-Gpvernor Used on Type No(s). 0064, 0093, 0132,								0364, 0393, 0440, 0443, 0482, 0486, 1018, 1052, 1064, 1093, 1128, 1142, 1143, 1153, 1182, 1186, 1220, 1236, 1272, 1281, 1290. 691508 Spring-Governor Used on Type No(s). 0045, 0345, 0423, 0446, 0451, 0456, 0480, 0497, 1151, 1157, 1170, 1180, 1197, 1200, 1224, 1232, 1269, 1282, 1297, 1412, 1413. 692072 Spring-Governor Used on Type No(s). 0411,0479, 1125, 1179, 1227, 1242, 1247, 1296. 690716 Spring-Governor Used on Type No(s). 0369, 0386, 0433, 1069, 1086, 1095, 1210, 1237, 1278. 805630 Spring-Governor Used on Type No(s). 0129, 0130, 0138, 0139, 0438, 0439, 1138, 1149, 1217. 806869 Spring-Governor Used on Type No(s). 1408. 210 691370 Strainer-Fuel 211 692069 Spring-Governor Idle Note _____ 691505 Spring-Governor Idle Used on Type No(s). 0326, 0369, 0386, 0433, 1026, 1086, 1278. 806868 Spring-Governor Idle Used on Type No(s). 1408.
	187A	691049	Line-Fuel (Molded)											
	187B	692107	Line-Fuel											
	187C	692106	Line-Fuel											
	187D	692108	Line-Fuel											
	188	692056	Screw (Control Bracket)											
	190	94536	Screw (Fuel Tank)											
	190A	692199	Screw (Fuel Tank)											
	192	807623	Adjuster-Rocker Arm											
	197	692539	Screw (Back Plate)											
	203	690923	Crank-Bell											
	205	692083	Screw (Bell Crank)											
	206	691244	Nut-Governor Adjusting											
	208	691549	Rod-Governor Control (Used After Code Date 96033100).											
	208A	808453	Rod-Governor Control (Used After Code Date 94113000 and Before Code Date 96040100).											
	208B	805471	Rod-Governor Control (Used Before Code Date 94120200).											
	209	692070	Spring-Governor Note _____ 691506 Spring-Governor Used on Type No(s). 0022, 0028, 0036, 0037, 0042, 0044, 0052, 0078, 0129, 0130, 0342 0344, 0352, 0378 0396, 0415, 0425 0450, 0462, 0494, 0498, 1042, 1044, 1078, 1162, 1194, 1198, 1257, 1378.											

★ Included in Engine Gasket Set-Ref. No.358.

● Included in Carburetor Overhaul Kit-Ref. No. 121.

◆ Included in Carburetor Gasket Set-Ref. No. 977.

⊘ Included in Valve Gasket Set-Ref. No 1095.

Illustrations cover a range of engines. Parts shown without corresponding text may not be used on your specific engine.

REF. NO.	PART NO.	DESCRIPTION	REF. NO.	PART NO.	DESCRIPTION	REF. NO.	PART NO.	DESCRIPTION
211A	692068	Spring—Governed Idle ———— Note ———— 690707 Spring Governed Idle Used on Type No(s). 0027, 0035, 0036, 0054, 0060, 0061, 0074, 0084, 0085, 0092, 0123, 0133, 0136, 0312, 0313, 0315, 0317, 0319, 0321, 0325, 0327, 0329, 0350, 0354, 0360, 0362, 0365, 0360, 0362, 0365, 0366, 0373, 0374, 0382, 0385, 0391, 0392, 0394, 0397, 0399, 0412, 0416, 0417, 0419, 0420, 0427, 0428, 0430, 0435, 0453, 0458, 0464, 0475, 0476, 0477, 0481, 0488, 0489, 0495, 0496, 0501, 0502, 0505, 0518, 1012, 1013, 1015, 1017, 1018, 1019, 1021, 1025, 1031, 1033, 1049, 1054, 1060, 1062, 1066, 1073, 1074, 1087, 1094, 1111, 1112, 1114., 1116, 1118, 1119, 1120, 1127, 1129, 1131, 1133, 1141, 1158, 1159, 1164, 1167, 1168, 1175, 1176, 1177, 1181, 1189, 1195, 1196, 1205, 1208, 1218, 1231, 1250, 1251, 1262, 1403. 691553 Spring—Governor Idle Used on Type No(s). 1179, 1186, 1236, 1269, 1272.	216	690705	Link—Choke	271	692541	Lever—Control (Cable Wire With a "Z" Formed End)
			217	806862	Spring—Choke Return	271A	692105	Lever—Control (Cable Wire With a "L" Formed End)
			222	808454	Bracket—Control (Used With Control Lever and/or Wire With a "Z" Formed End) (Used After Code Date 94113000).	271B	691028	Lever—Control
			222A	690918	Bracket—Control (Used With Control Lever and/or Wire With a "L" Formed End) ———— Note ———— 691570 Bracket—Control (Used After Code Date 95043000). Used on Type No(s). 1114, 1155, 1178. 808014 Bracket—Control (Used Before Code Date 95050100). Used on Type No(s). 0414, 0478, 1114, 1178.	273	690681	O—Ring Seal (Oil Pump)
			226	692075	Rod—Hand Choke	276	690704	Washer—Sealing (Governor Crank)
			227	690236	Lever—Governor Control	276A	691766	Washer—Sealing (Cylinder Head)
			231	690718	Screw (Choke Valve)	276B	690724	Washer—Sealing (Carburetor Plug)
			232	692073	Spring—Governor Link	278	690237	Washer (Governor Control Lever)
			234	691723	Clip—Control Rod	280	691526	Bracket—Rod
			239	690233	Switch—Oil Pressure	281	690742	Panel—Control
			240	298090	Filter—Fuel	282	692083	Screw (Control Lever)
			240A	691035	Filter—Fuel	287	806660	Screw (Dipstick Tube) (Special)
			240B	808116	Filter—Fuel	287A	805177	Screw (Dipstick Tube)
			255	690721	Bushing—Choke Shaft	300	807741	Muffler (Cylinder 1, Side Outlet)
			262	692083	Screw (Rod Bracket)	300A	807742	Muffler (Cylinder 2, Side Outlet)
			265	691024	Clamp—Casing	300B	498984	Muffler (Super Lo Tone)
			267	692083	Screw (Casing Clamp)	300C	807752	Muffler (Lo Mount)
			268	691025	Casing—Control Wire (Cut to Required-Length)	300D	692099	Muffler (Lo Mount)
			269	691026	Wire—Control (Cut to Required-Length)	300E	690906	Muffler (Cylinder 1) (Side—Outer Starter Motor Side)
			270	691027	Nut (Control Wire Casing)	300F	690931	Muffler
212	690712	Link—Throttle				300J	807799	Muffler (Cylinder 2) (Side Outlet, Oil Filter Side)
212A	691519	Link—Throttle						

★ Included in Engine Gasket Set—Ref. No.358.

● Included in Carburetor Overhaul Kit—Ref. No. 121.

◆ Included in Carburetor Gasket Set—Ref. No. 977.

⊘ Included in Valve Gasket Set—Ref. No 1095.

Illustrations cover a range of engines. Parts shown without corresponding text may not be used on your specific engine.

303400

REF. NO.	PART NO.	DESCRIPTION	REF. NO.	PART NO.	DESCRIPTION	REF. NO.	PART NO.	DESCRIPTION
300H	807831	Muffler (Cylinder 1 Side Outlet, Starter Motor Side)			807654 Housing– Blower (Red; With Weld Nut, For Plastic Air Cleaner Base) (Used Before Code Date 90111700).	308A	806544	Cover–Cylinder Head (Cylinder 2) (Black) (Used After Code Date 98120100).
300K	808379	Muffler (Cylinder 2 Side Outlet, Oil Filter Side)			807662 Housing– Blower (Black; With Weld Nut, For Plastic Air Cleaner Base) (Used Before Code Date 90111700).			Note 691563 Cover– Cylinder Head (Cylinder 2) (Black) (Used After Code Date 93072200and Before Code Date 98113000).
300L	808380	Muffler (Cylinder 1 Side Outlet, Starter Motor Side)						
304	807814	Housing–Blower (Black; Without Weld Nut, For Plastic Air Cleaner Base) (Used After Code Date 90111600).	304A	808055	Housing–Blower (Red; With Weld Nut, For Metal Air Cleaner Base) Note 808408 Housing– Blower (Black; With Weld Nut, For Metal Air Cleaner Base)	308B	806545	Cover–Cylinder Head (Cylinder 1) (Black) (Used After Code Date 98120100).
		Note 807891 Housing– Blower (Black, Without Weld Nut, For Plastic Air Cleaner) (Used Before Code Date 90111700).						Note 691576 Cover– Cylinder Head (Cylinder 1, Black) (Used After Code Date 93072200 and Before Code Date 98113000)
		807820 Housing– Blower (Red; Without Weld Nut, For Plastic Air Cleaner Base) (Used After Code Date 90111600).	305	692539	Screw (Blower Housing) (10mm Long)	308G	690913	Cover–Cylinder Head (Cylinder 2) (Black) (Used After Code Date 93072200).
		807892 Housing– Blower (Red, Without Weld Nut, For Plastic Air Cleaner) (Used Before Code Date 90111700).	305A	692056	Screw (Blower Housing) (14mm Long)			Note 807869 Cover– Cylinder Head (Cylinder 1) (Black) (Used After Code Date 90111600and Before Code Date 93072300).
		808008 Housing– Blower (Red; With Weld Nut, For Plastic Air Cleaner Base) (Used After Code Date 90111600).	305B	692062	Screw (Blower Housing) (18mm Long)			807657 Cover– Cylinder Head (Cylinder 2) (Black) (Used Before Code Date 90111700).
			308	692806	Cover–Cylinder Head (Black) (Used After Code Date 93072200).			
					Note 807868 Cover– Cylinder Head (Cylinder 1) (Used After Code Date 90111600 and Before Code Date 93072300).			
					807656 Cover– Cylinder Head (Cylinder 1) (Black) (Used Before Code Date 90111700).			

★ Included in Engine Gasket Set–Ref. No.358.

● Included in Carburetor Overhaul Kit–Ref. No. 121.

◆ Included in Carburetor Gasket Set–Ref. No. 977.

⊘ Included in Valve Gasket Set–Ref. No 1095.

Illustrations cover a range of engines. Parts shown without corresponding text may not be used on your specific engine.

9691–30

Assemblies include all parts shown in frames.

3C–8/2001

REF. NO.	PART NO.	DESCRIPTION	REF. NO.	PART NO.	DESCRIPTION	REF. NO.	PART NO.	DESCRIPTION
309	691564	Motor–Starter (Services Steel Ring Gear Only.)	337	491055	Sparkplug ———— Note ————	436B	691501	Manifold–Exhaust (Cylinder 1, Side Outlet)
309A		Motor–Starter (Services Steel Ring Gear Only) (For Replacement Starter Motor See Ref. 309)			496018 Sparkplug Used on Type No(s). 0411, 0451, 0452, 0456, 0479, 0480, 0482, 0483, 1151, 1152, 1179, 1180, 1182, 1183, 1188, 1200, 1236, 1282.	436C	805609	Manifold–Exhaust (Used With Muffler Supplied by Customer)
309B	499521	Motor–Starter (Services Aluminum Ring Gear Only.)	338	★△691312	Gasket–Dipstick	436D	691502	Manifold–Exhaust (Used With Muffler Supplied by Customer).
309C		Motor–Starter (Services Aluminum Ring Gear Only.) For Replacement Starter Motor, See Ref 309.	346	690661	Screw (Spark Arrester)	437	691902	Screw (Exhaust Manifold)
310	496880	Bolt (Starter Motor) (4 1/4" Long)	347	691995	Switch–Rocker (Ground Terminal)	439	692154	Seal–O Ring (Crankcase Cover/ Sump) (Used After Code Date 97043000).
310A	690323	Bolt (Starter Motor) (4 7/16" Long)	349	690238	Nut (Cylinder Cover)			———— Note ————
310B	691263	Bolt (Starter Motor) (4 3/16" Long)	351	692083	Screw (Ground Terminal)			★805198 Seal–O Ring (Crankcase Cover/ Sump) (Used Before Code Date 97050100).
310C	692329	Bolt (Starter Motor)	355	690237	Washer (Muffler Bracket)	440	690335	Screw (Booster Fan)
311	496887	Brush Set	355A	690944	Washer (Muffler Bracket)	440A	690342	Screw (Booster Fan)
311A	497608	Brush Set	357	691483	Key–Drive Pulley	445	394018	Filter–Air Cleaner Cartridge
311B	490311	Brush Set (For 4 9/16" Housing Length)	358	808390	Gasket Set–Engine	445A	805113	Filter–Air Cleaner Cartridge
318	806870	Screw (Mounting Bracket)	359	691077	Washer (Ground Terminal)	445B	393957	Filter–Air Cleaner Cartridge
318A	691982	Screw (Mounting Bracket)	363	19203	Flywheel Puller	447	692539	Screw (Air Guide Cover)
318B	690932	Screw (Mounting Bracket)	365	690711	Screw (Carburetor)	450	806497	Washer (Fuel Tank Bracket)
321	690379	Fan–Booster	373	691612	Nut (Ground Terminal)	455	691517	Cup–Flywheel (Used After Code Date 93072500).
322	692067	Screw (Cylinder Head Cover)	373A	690713	Nut (Ground Terminal)			———— Note ————
322A	692539	Screw (Cylinder Head Cover)	377	808095	Key–Woodruff			805153 Cup–Flywheel (Used Before Code Date 93072600).
331	691075	Washer (Booster Fan)	383	19374	Wrench–Sparkplug	456	691529	Plate–Pawl Friction
332	690887	Nut (Flywheel)	385	693169	Screw (Fuel Pump)	456A	224228	Plate–Pawl Friction
333	492341	Armature–Magneto	387	808656	Pump–Fuel	459	808166	Pawl–Ratchet
334	692066	Screw (Magneto Armature)	387A	808969	Pump–Fuel Used on Type No(s). 1179, 1180, 1233, 1282, 1408.	459A	492431	Ratchet–Pawl
			403	690288	Washer (End Cap)	467	691985	Knob–Air Cleaner
			413	693587	Nut (Starter Motor)	467A	690895	Knob–Air Cleaner
			415	690283	Plug	467B	691668	Knob–Air Cleaner
			432	691509	Cap–Spring	468	★690690	O–Ring Seal (Oil Pump Screen)
			436	692061	Manifold–Exhaust (Cylinder 2, Side Outlet)			
			436A	691499	Manifold–Exhaust (Cylinder 2, Side Outlet)			

★ Included in Engine Gasket Set–Ref. No.358.

● Included in Carburetor Overhaul Kit–Ref. No. 121.

◆ Included in Carburetor Gasket Set–Ref. No. 977.

⊘ Included in Valve Gasket Set–Ref. No 1095.

Illustrations cover a range of engines. Parts shown without corresponding text may not be used on your specific engine.

303400

REF. NO.	PART NO.	DESCRIPTION	REF. NO.	PART NO.	DESCRIPTION	REF. NO.	PART NO.	DESCRIPTION
474B	691063	Alternator (Dual Circuit)	523A	693175	Dipstick (Special) (Used After Code Date 98053100).	527	690423	Clamp–Tube
474C	691065	Alternator (5 To 9 Amp)				529	690744	Grommet
474D	691064	Alternator (10 To 16 Amp)	524	★693172	Seal–Dipstick Tube (Used After Code Date 98053100).	529A	691527	Grommet
		Note				532	691115	Nut (Mounting Bracket)
		691364 Alternator (10 To 16 Amp) Used on Type No(s). 1036, 1041, 1295.				544	690855	Armature–Starter
479	692537	Screw (Oil Pump Screen)				544A	693548	Armature–Starter
493	691518	Bracket–Mounting (Regulator)	525	693174	Tube–Dipstick (Standard) (Used After Code Date 98053100).	544B		Armature Starter (Serviced By 499521 Starter Motor Only)
493A	691177	Bracket–Mounting (Regulator)				544C	490309	Armature–Starter
493B	691503	Bracket–Mounting	525A	693173	Tube–Dipstick (Used After Code Date 98053100). Used on Type No(s). 1147, 1197, 1233, 1270, 1279, 1409.	552	690701	Bushing–Governor Crank (Output End)
500	691087	Washer				552A	806686	Bushing–Governor Crank (Flanged)
501	691185	Regulator (5 To 9 Amp)				552B	690702	Bushing–Governor Crank
		Note				555	692067	Screw (Starter Solenoid)
		691573 Regulator (5 To 9 Amp) Used on Type No(s). 1041, 1057, 1110, 1236, 1278, 1295.	525B	690897	Tube–Dipstick (Used Before Code Date 98060100).	561	690713	Nut (Control Lever)
501A	691188	Regulator (5 To 9 Amp)	525C	690907	Tube–Dipstick (Used Before Code Date 98060100). Used on Type No(s). 0310, 0446, 0447, 0497, 1147, 1197, 1233, 1270.	562	690239	Bolt (Governor Control Lever)
503	691532	Strap–Starter				563	691982	Screw (Debris Screen Guard)
505	690238	Nut (Governor Control Lever)				565	690682	Stud (Oil Filter Adapter)
506	690677	Screw (Carburetor Cover)	526	692067	Screw (Regulator) (10 To 16 Amp)	572	690686	Baffle–Breather
507	691972	Insulator				573	690902	Plate–Back (Black)
507A	281223	Insulator				577	690795	Cable–Starter
510	496881	Drive–Starter (Services Steel Ring Gear Only)				578	692306	Wire Assembly
510A	497606	Drive–Starter				578A	493864	Wire–Stop (Ignition Coil)
510B	495878	Drive–Starter (For 4 3/8" Housing Length)				578B	692961	Wire–Stop
513	692024	Clutch–Drive	526A	690717	Screw (Regulator) (5 To 9 Amp) (Used After Code Date 90021100).	578C	807593	Wire–Stop (Cylinder 2)
515	691528	Spring–Pawl				578D	807594	Wire–Stop (Cylinder 1)
520	691084	Terminal–Ground				578E	692319	Wire Assembly (Ignition Coil)
520A	807527	Terminal–Ground				578G	691377	Wire Assembly
522	491832	Plug–Dipstick/Fill				578H	690796	Wire–Stop
523	692100	Dipstick (Standard) (Used Before Code Date 98060100).				596	691492	Screw (Oil Pump)
		Note				597	690876	Screw (Pawl Friction Plate)
		810084 Screw (Regulator) (5 To 9 Amp) (Used Before Code Date 90021200).				597A	94463	Screw (Pawl Friction Plate)
						598	807625	Shim–End Play (Crankshaft)

★ Included in Engine Gasket Set–Ref. No.358.

● Included in Carburetor Overhaul Kit–Ref. No. 121.

◆ Included in Carburetor Gasket Set–Ref. No. 977.

∅ Included in Valve Gasket Set–Ref. No 1095.

Illustrations cover a range of engines. Parts shown without corresponding text may not be used on your specific engine.

REF. NO.	PART NO.	DESCRIPTION	REF. NO.	PART NO.	DESCRIPTION	REF. NO.	PART NO.	DESCRIPTION
601	95162	Clamp–Hose	638	691551	Washer (Cylinder Head Cover) (Lock Tooth)	711B	690699	Screw (Carburetor Shield)
601A	805813	Clamp–Hose				718	690684	Pin–Locating
601B	691038	Clamp–Hose	638A	690706	Washer (Cylinder Head Cover) (Spring)	718A	805102	Pin–Locating (Used Before Code Date 90091100).
601C	691522	Clamp–Hose				718B	690740	Pin–Locating
608	692102	Starter–Rewind (Used After Code Date 93072500).	643	692079	Retainer–Air Filter	725	280866	Shield–Heat (Cut to Required- Length)
608A	808152	Starter–Rewind (Used Before Code Date 93072600).	643A	690447	Retainer–Air Filter	725A	805702	Shield–Heat
			643B	691730	Retainer–Air Filter	725B	691498	Shield–Heat
613	692539	Screw (Muffler)	663	692083	Screw (Control Panel)	725C	806102	Shield–Heat
613A	692056	Screw (Muffler)	664	691087	Nut (Key Switch)	725D	805844	Shield–Heat
615A	691550	Retainer–Governor Shaft	668A	691500	Spacer	726		Gear–Ring (Steel) (Sold in Flywheel Kit Only; See Ref. 23)
616	806685	Crank–Governor (Used After Code Date 99072000).	674	692056	Screw (Fuel Tank Bracket)	726A	807805	Gear–Ring (Aluminum)
616A	690899	Crank–Governor (Used Before Code Date 99072100).	674A	805177	Screw (Fuel Tank Bracket)	727	690714	Cover–Starter Drive (Black)
620	494052	Panel–Speed Control	674B	692062	Screw (Fuel Tank Bracket)			Note ——— 805503 Cover–Starter Drive (Red)
628	806660	Screw (Pump Bracket)	676	393761	Deflector–Muffler (Side Outlet)	728	805704	Screw (Heat Shield)
629	806717	Spring–Throttle Return	676A	397630	Deflector–Muffler (Louvered)	729	690586	Clip–Wire
629A	806716	Spring–Throttle Return Note ——— 806863 Spring– Throttle Return Used on Type No(s). 1409 807004 Spring– Throttle Return Used on Type No(s). 1381,1410.	676B	396903	Deflector–Muffler (Direct Out)	732	690688	Screw (Starter Drive Cover)
			676C	495518	Deflector–Muffler	732A	692539	Screw (Starter Drive Cover)
			676D	808394	Deflector–Muffler	737	690679	Screw (Oil Filter Adapter)
			677	810079	Screw (Muffler Deflector)	739	690451	Clip–Debris
			677A	690688	Screw (Muffler Deflector)	741	691530	Gear–Timing
			677B	690661	Screw (Muffler Deflector)	742	807001	Stop–Throttle
			683	691029	Nut (Starter Solenoid Terminal)	773	690875	Retainer
629B	692088	Spring–Throttle Return Used on Type No(s). 0404, 0405, 1104, 1105, 1108, 1252, 1283.	689	691272	SPring–Friction	774	692067	Screw (Stop Wire)
			689A	262564	Spring–Friction	783	693059	Gear–Pinion (Services Aluminum Ring Gear Only.)
633	806131	Seal–Choke/Throttle Shaft	691	690680	Seal–Governor Shaft	788	691559	Bracket–Fuel Pump
633A	806864	Seal–Choke/Throttle Shaft	695	693109	Screw (Ring Gear)	789	691996	Harness–Wiring Note ——— 691578 Harness– Wiring Used on Type No(s). 1110, 1041, 1278, 1295.
633B	690722	Seal–Choke/Throttle Shaft	695A	693149	Screw (Ring Gear)	789A	690809	Wire–Stop
633C	807003	Seal–Choke/Throttle Shaft	697	692062	Screw (Drive Cap)	797	691029	Nut (Brush Retainer)
635	692076	Boot–Sparkplug	703	94484	Clip	797A	693167	Nut (Brush Retainer)
637	806999	Washer (Throttle Shaft)	706	805484	Washer (Breather Assembly) (Used Before Code Date 90111500).			
637A	807000	Washer (Throttle Shaft)	710	807689	Cover–Oil Filter			
			711	691492	Screw (Carburetor Shield)			

★ Included in Engine Gasket Set–Ref. No.358.

● Included in Carburetor Overhaul Kit–Ref. No. 121.

◆ Included in Carburetor Gasket Set–Ref. No. 977.

⊘ Included in Valve Gasket Set–Ref. No 1095.

Illustrations cover a range of engines. Parts shown without corresponding text may not be used on your specific engine.

303400

REF. NO.	PART NO.	DESCRIPTION	REF. NO.	PART NO.	DESCRIPTION	REF. NO.	PART NO.	DESCRIPTION	
801	808777	Cap-Drive	833	692539	Screw (Cleaner Mounting Strap)	865	690750	Dover-Air Guide (Black)	
801A	808778	Cap-Drive				865A	690901	Cover-Air Guide (Black)	
801B	691429	Cap-Drive	833A	690872	Screw (Cleaner Mounting Strap) (Used After Code Date 97103100).	————— Note —————		807653	Cover-Air Guide (Red)
801C	394856	Cap-Drive						690908	Cover-Air Guide (Black)
802	496813	Cap-End	833B	691593	Screw (Cleaner Mounting Strap)				Used on Type No(s). 0310, 0446, 0447 0497, 1147, 1197, 1270, 1279.
802A	691286	Cap-End	836	691514	Screw (Muffler Guard)				
802C	494988	Cap-End (For 4 3/8" Housing Length)	836A	692067	Screw (Muffler Guard)	868	691963	Seal-Valve	
803	690854	Housing-Starter	837	808085	Spacer-Muffler	871	692057	Bushing-Valve Guide	
803A	693547	Housing-Starter	838	690875	Retainer	875	690894	Base-Air Cleaner (Plastic)	
803B		Housing-Starter (Serviced By 499521 Starter Motor Only)	840	692096	Kit-Panel	876	495877	Kit-Pinion Spring	
803C	494205	Housing-Starter (For 4 3/8" Housing Length)	842	*690611	Seal-O Ring (Dipstick)	877	393456	Wire/Connector-Alternator (White Dual Socket)	
		————— Note —————	843	691322	Sleeve-Lever				
		398892	849	691088	Screw (Stub Shaft)	877B	393537	Wire/Connector-Alternator (Green Single Socket)	
		Housing-Starter (For 4 9/16" Housing Length)	849A	690342	Screw (Stub Shaft)	877C	399916	Wire/Connector-Alternator (Yellow Dual Socket)	
807	•805557	Spacer-Throttle	851	493880	Terminal-Sparkplug	878A	691237	Harness-Alternator (Dual Circuit)	
812	Δ692055	Nut (Rocker Arm Cover)	862	692542	Strap-Stud (AirCleaner Mounting) (Used After Code Date 97103100).	878B	691362	Harness-Alternator	
		————— Note —————			————— Note —————	879	690757	Cover-Carburetor	
		692198	862A	692153	Strap/Stud (AirCleaner Mounting)	882	692074	Flange-Exhaust	
		Screw (Muffler Bracket) (Used Before Code Date 97012400).	862C	807563	Strap/Stud (AirCleaner Mounting)	883	*691613	Gasket-Exhaust	
813	690635	Clamp	862D	807563	Strap/Stud (AirCleaner Mounting)	884	690898	Clamp-Muffler	
816	690706	Washer (Oil Filter Adapter)	862E	691565	Strap/Stud (AirCleaner Mounting)	884A	691956	Clamp-Muffler	
819	692097	Screw (Muffler Bracket) (Used After Code Date 97012300).	863	691513	Bracket-Muffler (Cylinder 2 Side)	892	692318	Switch-Key	
		————— Note —————	863A	690756	Bracket-Muffler (Cylinder 2 Side)	896	691641	Pin-Drive Retainer	
		692198	863B	805610	Bracket-Muffler	899	691077	Washer (Starter Solenoid)	
819A	690943	Screw (Muffler Bracket) (16mm Long)				918	393815	Hose-Vacuum (Rocker Cover To Impulse Pump)	
819B	692056	Screw (Muffler Bracket) (14mm Long)				920	691656	Solenoid-Starter	
819C	692537	Screw (Muffler Bracket)				926	498233	Kit-Housing/Cap (For 4 9/16" Housing Length)	
819D	692067	Screw (Muffler Bracket) (12mm Long)				927	691116	Screw (Electronic Governor Module)	
830	691544	Stud-Rocker Arm (Used After Code Date 96033100).				947A	692094	Solenoid-Fuel	
830A	691497	Stud-Rocker Arm (Used Before Code Date 96040100).				949	690475	Guard-Debris Screen	
832	691571	Guard-Muffler				949A	808226	Guard-Debris Screen (Used on Engines with Electric Start Only)	

★ Included in Engine Gasket Set-Ref. No.358.

● Included in Carburetor Overhaul Kit-Ref. No. 121.

◆ Included in Carburetor Gasket Set-Ref. No. 977.

⊘ Included in Valve Gasket Set-Ref. No 1095.

Illustrations cover a range of engines. Parts shown without corresponding text may not be used on your specific engine.

9691-34

Assemblies include all parts shown in frames.

3C-8/2001

REF. NO.	PART NO.	DESCRIPTION	REF. NO.	PART NO.	DESCRIPTION	REF. NO.	PART NO.	DESCRIPTION
955A	807723	Plug-Carburetor (Jet)	1023E	691531	Cover-Rocker Arm			806890 Label-Emissions (Used After Code Date 00063000). Used on Type No(s). 1138.
957	491367	Cap-Fuel Tank (Plastic)	1024	693185	Pump-Oil			806632 Label-Emissions (Used After Code Date 98123100). Used on Type No(s). 1138, 1149.
957A	493988	Cap-Fuel Tank (Plastic)	1025	690689	Spool-Governor			
958	399517	Valve-Fuel Shut Off (Plastic)	1026	691836	Rod-Push (Steel)			
958A	494768	Valve-Fuel Shut Off			Note			
958B	692008	Valve-Fuel Shut Off (Plastic)	1027	492932	691758 Rod-Push (Aluminum Exhaust) Filter-Oil (2 1/4" Long)			
965	807723	Deflector-Oil			Note			
967	272490	Filter-Pre Cleaner			491056 Filter-Oil (3 1/4" Long)	1038	492374	Rod-Fuel Shut-Off
967B	805267	Filter-Pre Cleaner	1028	808235	Adapter-Oil Filter	1038A	691567	Rod-Fuel Shut-Off
967C	271794	Filter-Pre Cleaner			Note	1044	692056	Screw (Flywheel)
968	691334	Cover-Air Cleaner			808033 Adapter-Oil Filter (Horizontal Mounted Oil Filter)	1046	692082	Plug-Blower Housing
968A	692097	Cover-Air Cleaner (Metal)				1047	807867	Shaft-Stub
968B	690694	Cover-Air Cleaner (Plastic)	1029	691543	Arm-Rocker	1048	690669	Module-Electronic Governor (Used After Code Date 98102700).
968C	691910	Cover-Air Cleaner	1029A	692103	Arm-Rocker (Used After Code Date 94011700).			
971A	691492	Screw (Air Cleaner Base)			Note	1051	691124	Ring-Retaining
971B	692537	Screw (Air Cleaner Base)			808159 Arm-Rocker (Used Before Code Date 94011800).	1051A	691265	Ring-Retaining
972	492369	Tank-Fuel (7 Quart)				1054	280275	Tie-Cable
972A	690663	Tank-Fuel (9 Quart)	1030	691496	Support-Rocker Arm	1054A	710349	Tie-Cable
988	★692063	Gasket-Oil Adapter	1031	690693	Shaft-Rocker Arm	1058	274790	Owner's Manual (Emission Engines)
988A	★690687	Gasket-Oil Adapter	1036	806881	Label-Emissions (Used After Code Date 00063000).			Note
990	691959	Key Set			Note			272105 Owner's Manual (Non Emission Engines)
994	392390	Arrestor-Spark			806687 Label-Emissions (Used Before Code Date 00070100 and After Code Date 99093000).	1083	691626	Nut (End Cap)
996	691577	Shield-Carburetor				1083A	690958	Nut (End Cap)
996C	690696	Shield-Carburetor			806583 Label-Emissions (Used Before Code Date 99100100 and After Code Date 98123100).	1085	809093	Module-Ignition
1003	490316	Spring-Brush				1090	691293	Retainer-Brush
1004	690743	Duct-Air			499365 Label-Emissions (Used Before Code Date 99010100 and After Code Date 97052500).	1091	●691516	Cap-Limiter
1004B	692538	Duct-Air (For Plastic Air Cleaner Base)				1095	808392	Gasket Set-Valve
1012	690592	Retainer-Link			499366 Label-Emissions (Used After Code Date 97052600).	1100	690973	Pivot-Rocker Arm
1012A	691521	Retainer-Link				1119	691552	Screw (Alternator)
1017	690900	Screen-Oil Pump				1122	93410	Screw (Control Wire Casing)
1019	808036	Kit-Label				1139	806497	Washer (Fuel Pump Bracket)
1022	★△806039	Gasket-Rocker Cover				1148	94504	Screw (Clip)
1023	690758	Cover-Rocker Arm				1231	692067	Screw (Ignition Module)
1023B	691494	Cover-Rocker Arm						
1023C	690910	Cover-Rocker Arm (Used on Cylinder 1 Fuel Pump Applications)						
1023D	691558	Cover-Rocker Arm (Used on Cylinder 1 Fuel Pump Applications)						

★ Included in Engine Gasket Set-Ref. No.358.

● Included in Carburetor Overhaul Kit-Ref. No. 121.

◆ Included in Carburetor Gasket Set-Ref. No. 977.

⊘ Included in Valve Gasket Set-Ref. No 1095.

Illustrations cover a range of engines. Parts shown without corresponding text may not be used on your specific engine.